



匯統國際股份有限公司

Huey Tung International Co., Ltd.

# 產品規格書

# Specification

[ Model : HTPA-821 / 2013.3.29 version ]



**Cara Audio Corporation**


No.69, Lane 762, Dingzhong Road, Sanmin District, Kaohsiung City, Taiwan, ROC.

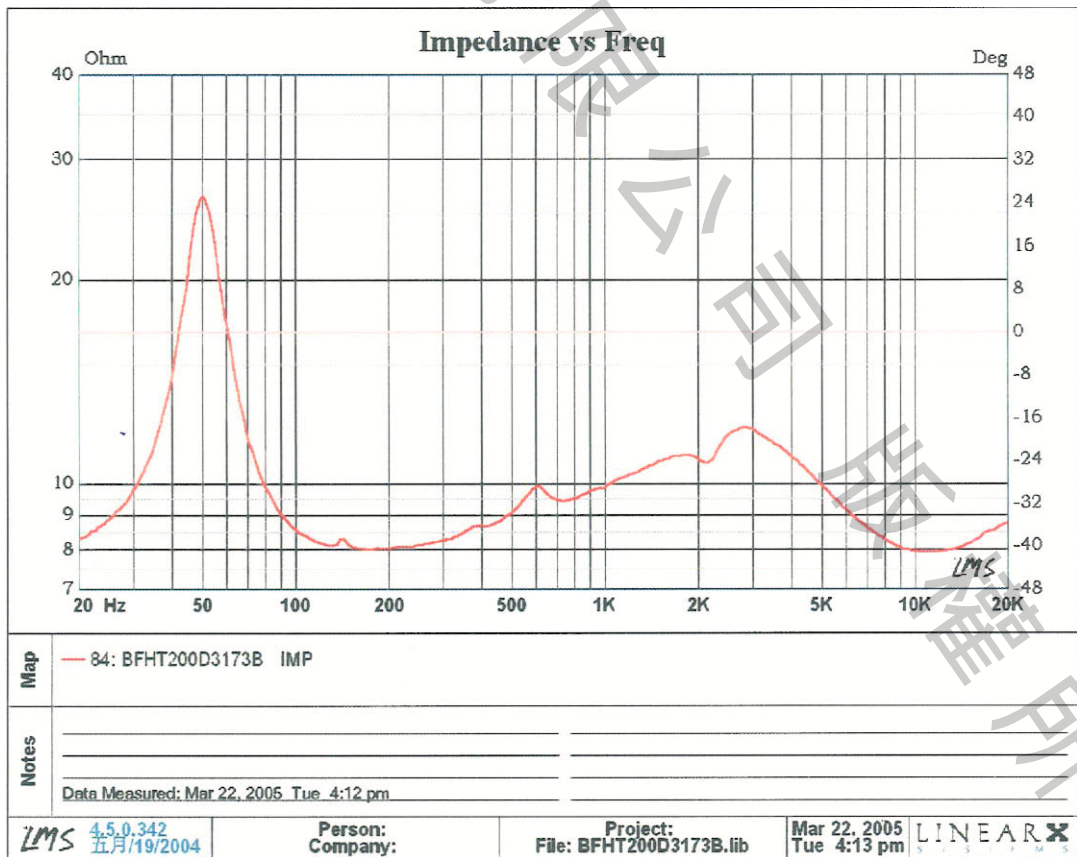
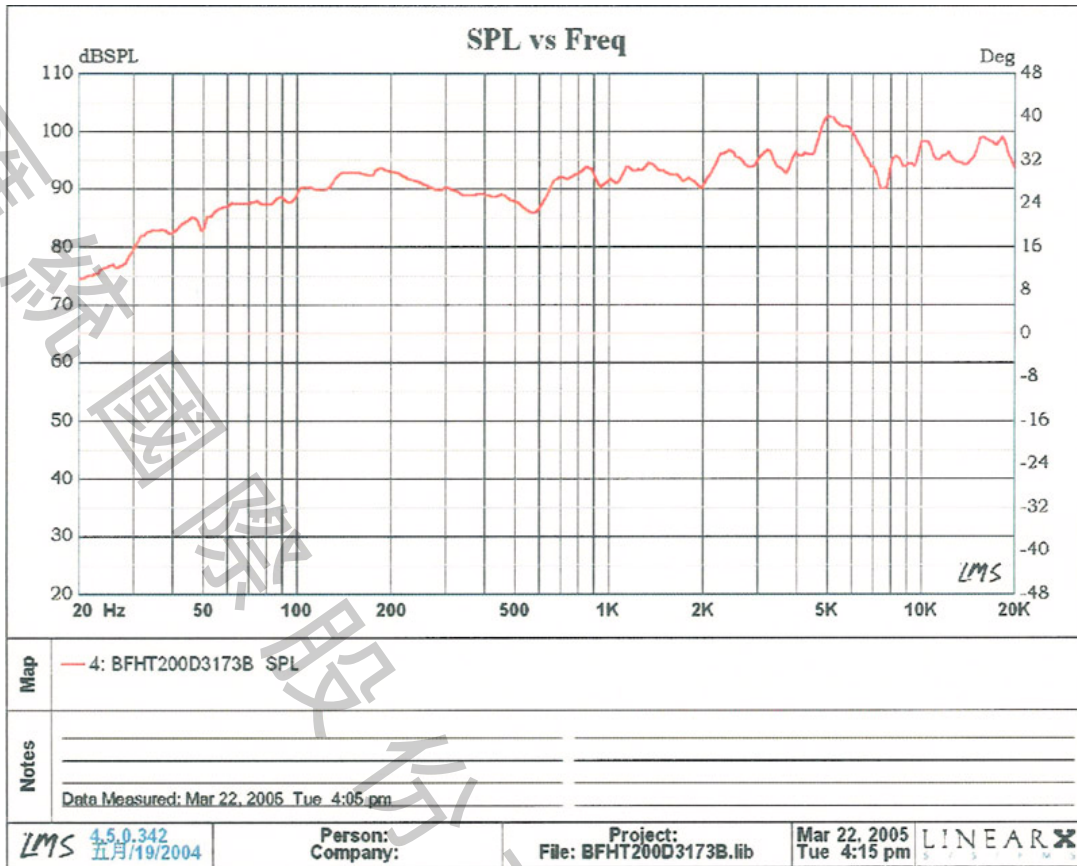
Tel: 886-7-310 5786 / Fax: 886-7-310 0783

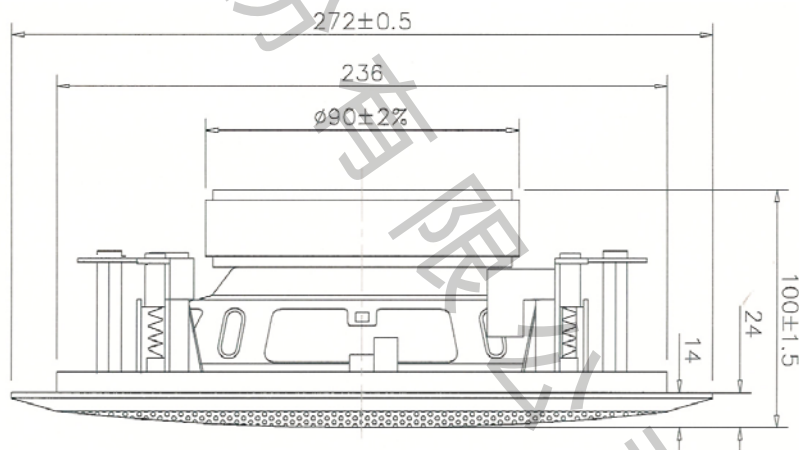
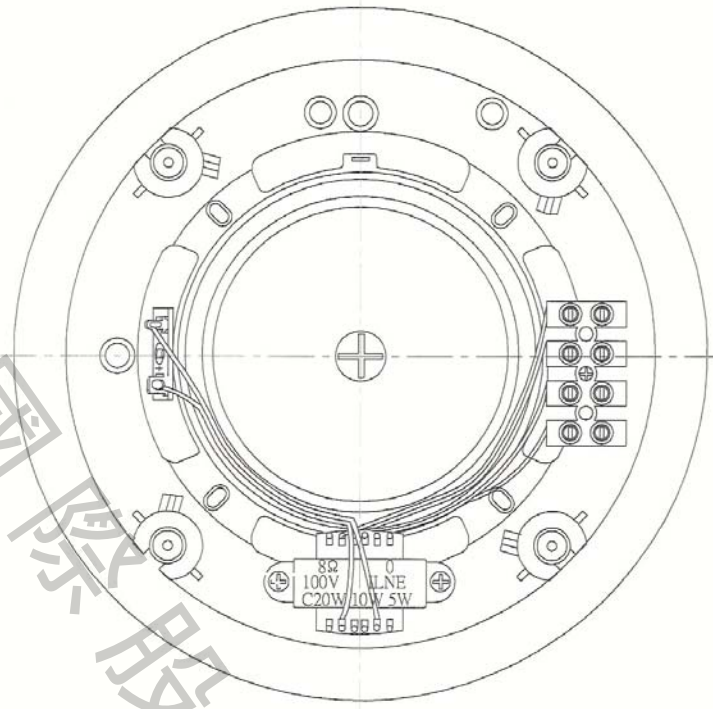
E-mail: [carawang@hueytung.com.tw](mailto:carawang@hueytung.com.tw) / <http://www.hueytung.com.tw>

# 揚聲器製品規格書 SPEAKER SPECIFICATION

型號 Model Number: HTPA-821

項目 Items		規格 Specification		
1	公称阻抗 Nominal Impedance	88Ω±15% at 200 Hz 1.0v		
2	最低共振周波数 Lowest Resonance Frequency	55 Hz ± 9Hz Without a baffle		
3	实效周波数带域 Effective Frequency Range	F0~20KHz -10dB		
4	出力音压 Output Sound Pressure Level	90dB±5dB 1W/1M at (200,400,600,800)Hz AVE.		
5	入力 Input	定格入力 Rated input 30 W	最大入力 Maximum input 60 W	
6	磁束密度 Flux Density	-----±10% GAUSS		
7	异常音试验电压 Buzz & Rattle Test	Must be normal at sine wave 8.9 V		
8	动作试验电压 Operation Test	Must be normal at program source		
9	极性 Polarity	Positive + (Right) Hand Terminal		
10	磁石尺寸/重量 Magnet Dimension/Weigh	Magnet: 90*50*15 (WF) Sub Magnet: 45*22*8 (TW)	300 g (11.6 OZ) 48g (1.74 OZ)	
11	连续负荷试验 Life Test	EIA-426B noise 30 W 8 hours		
12	耐热试验 Heat Resistance	70°C±2°C 20%-50%RH 24 Hours and then room temperature 1 hours		
13	耐湿试验 Humidity Resistance	40°C±2°C 90%-95%RH 24 Hours and then room temperature 1 hours		
14	耐寒试验 Cold Resistance	-25°C±2°C 24Hours and then room temperature 1 hours		
15	落下试验 Drop Test	1M 75°±2°		
16	绝缘耐压试验 Insulation Resistance	Or more 1MΩ 以上		
17	周波数特性 Frequency Response Curve	参照附图 On Other Drawing		
18	失真率 Distortion	/		
19	各部 材质	Cone Paper	PP CARBON	
		Voice Coil	25.4 mm	
		Cap	/	
20	总重量 Total Weight	2114g (42.8 OZ)		
	Size: 8"	Approve:	Check:	Design:
	試作發行: 2005.03.23	Arthur	Chen	LIU





**HTPA-821**

Tolerance:0.5

Unit: mm