



匯統國際股份有限公司

Huey Tung International Co., Ltd.

# 產品規格書

# Specification

[ Model : HTPA-801 / 2013.1.9 version ]



HTPA-801



**Cara Audio Corporation**

No.69, Lane 762, Dingzhong Road, Sanmin District, Kaohsiung City, Taiwan, ROC.

Tel: 886-7-310 5786 / Fax: 886-7-310 0783

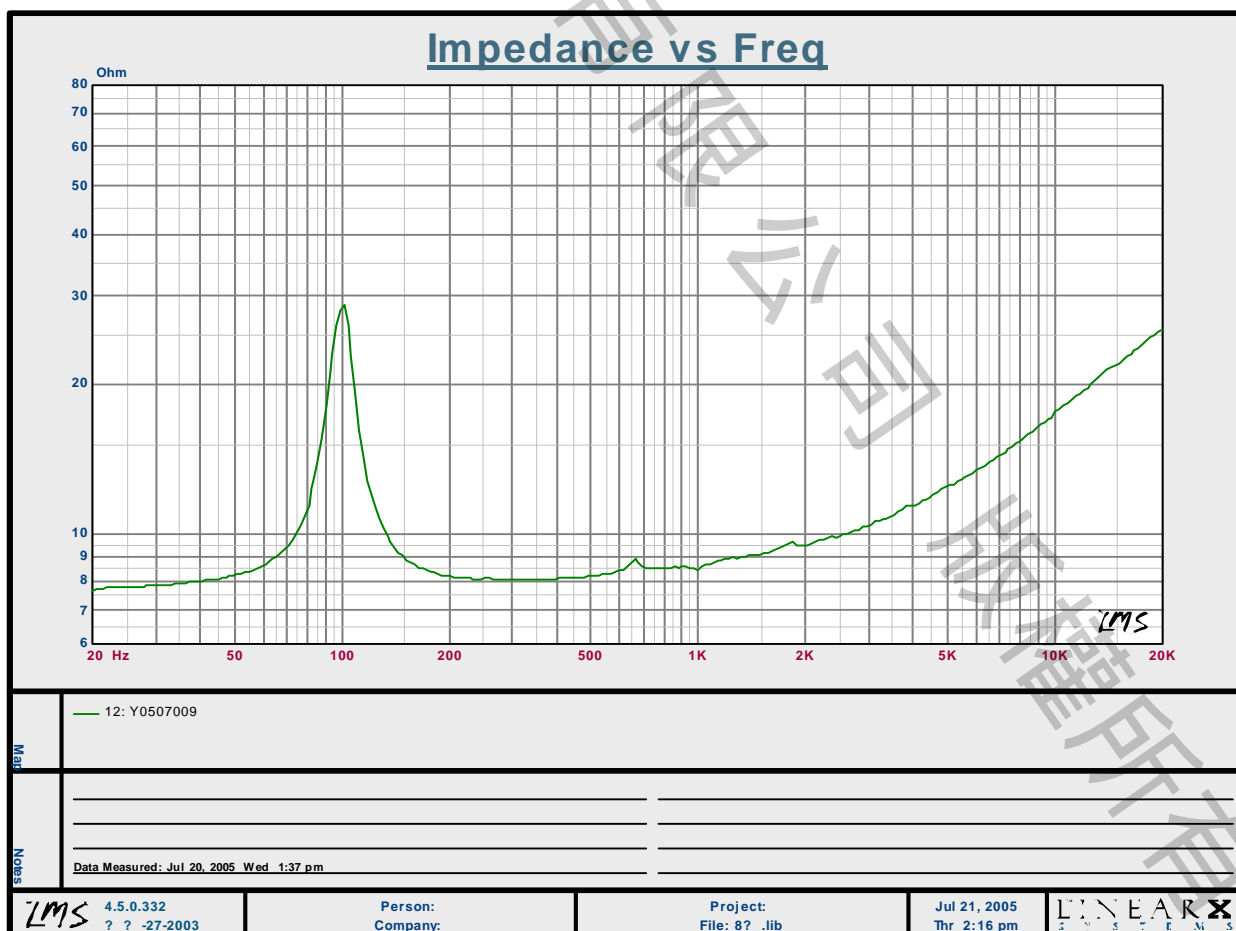
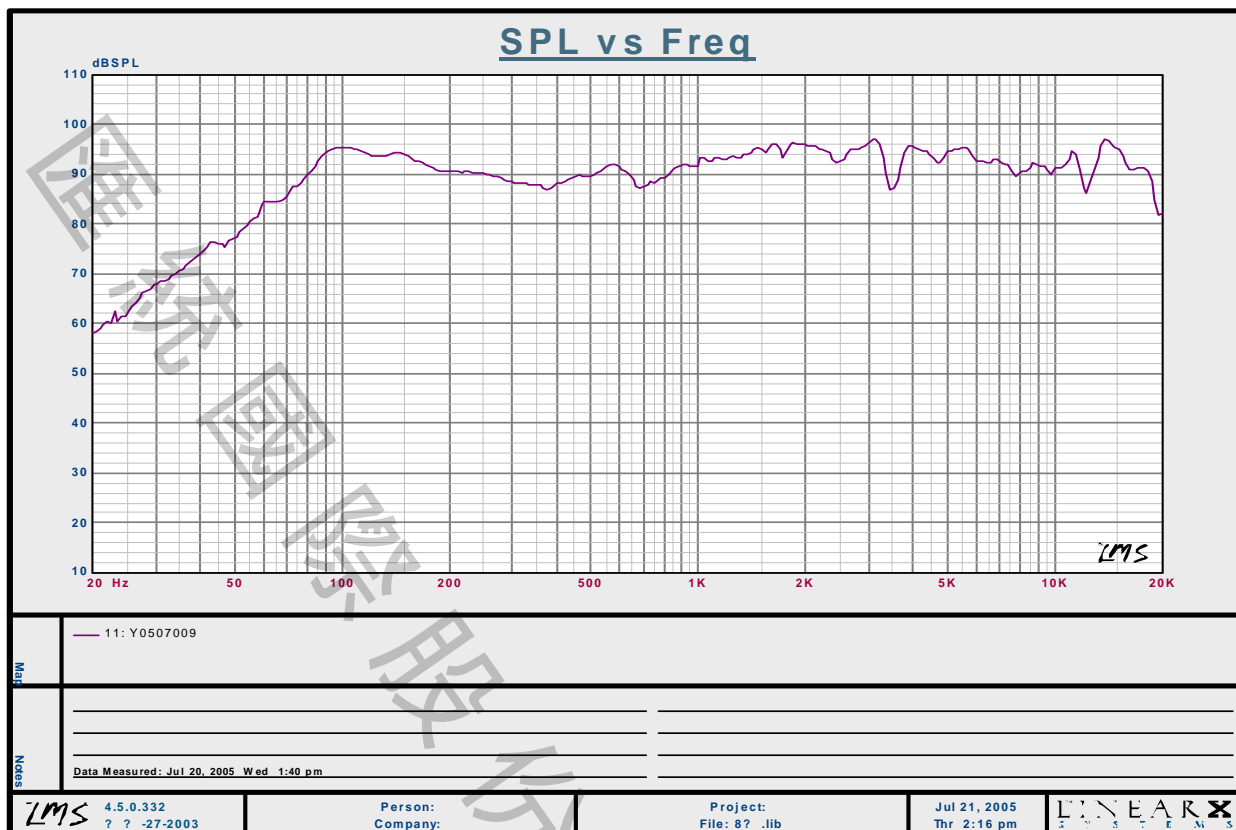
E-mail: [carawang@hueytung.com.tw](mailto:carawang@hueytung.com.tw) / <http://www.hueytung.com.tw>

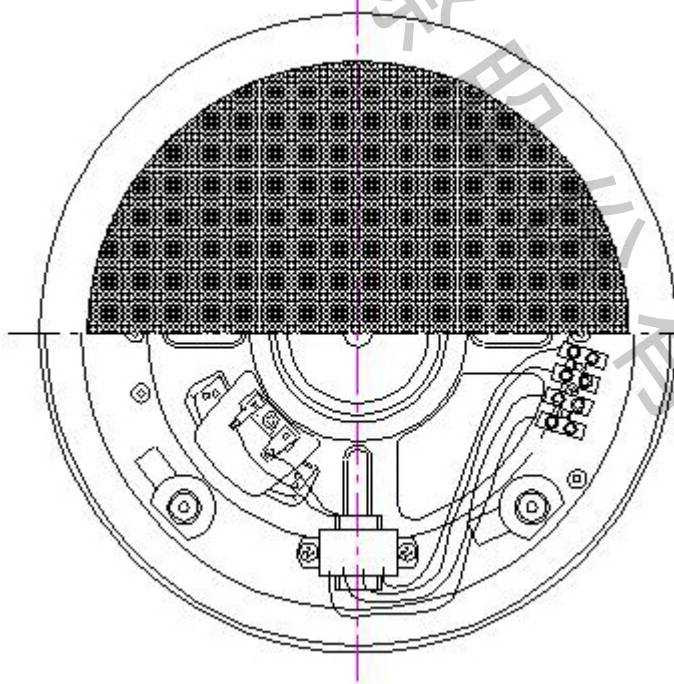
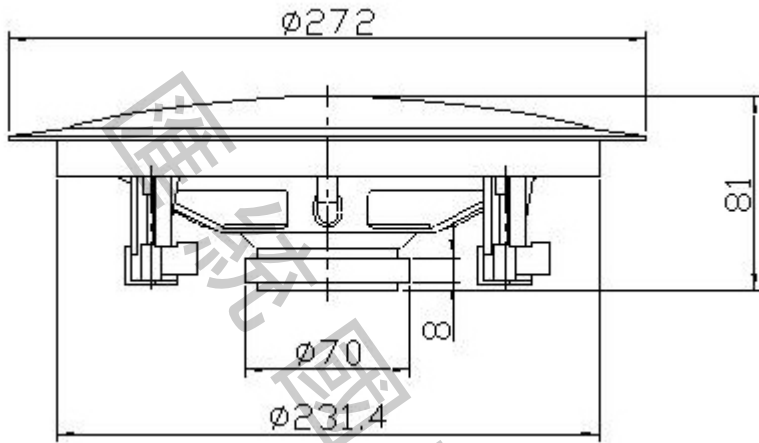
# 揚聲器製品規格書

## SPEAKER SPECIFICATION

型號 Model Number:HTPA-801

項目 Items		規格 Specification		
1	公称阻抗 Nominal Impedance	8Ω±5% at 300 Hz 1.0v		
2	最低共振周波数 Lowest Resonance Frequency	100 Hz±20%Hz Without a baffle		
3	实效周波数带域 Effective Frequency Range	F0~20KHz -10dB		
4	出力音压 Output Sound Pressure Level	89dB±2dB 1W/1M at (300,400,500,600)Hz AVE.		
5	入力 Input	定格入力 Rated input 10 W	最大入力 Maximum input 20 W	
6	磁束密度 Flux Density	-----±10% GAUSS		
7	异常音试验电压 Buzz & Rattle Test	Must be normal at sine wave 6.3 V		
8	动作试验电压 Operation Test	Must be normal at program source 5 W		
9	极性 Polarity	Positive+ (Right) Hand Terminal		
10	磁石尺寸/重量 Magnet Dimension/Weigh	Magnet:70*32*8 Sub Magnet:	121.8 G	
11	连续负荷试验 Life Test	EIARS-426A noise 10 W 8 hours	After the Test, Speaker should be meet the Outside and item 7,8	
12	耐热试验 Heat Resistance	70°C±2°C 20%-50%RH 24 Hours and then room temperature 1 hours		
13	耐湿试验 Humidity Resistance	40°C±2°C 90%-95%RH 48Hours and then room temperature 1 hours		
14	耐寒试验 Cold Resistance	-25°C±2°C 24Hours and then room temperature 1 hours		
15	落下试验 Drop Test	1M 75°±2°		
16	绝缘耐压试验 Insulation Resistance	Or more 1MΩ 以上		
17	周波数特性 Frequency Response Curve	参照附图 On Other Drawing		
18	失真率 Distortion	5% less than at 20W 300HZ		
19	各部 材质	Cone Paper	Paper	
		Voice Coil	SPSV φ20.4	
		Cap	φ20 高音杯	
20	总重量 Total Weight	520G (18.4OZ)		
	Size: 8"	Approve:	Check:	Design:
	試作發行: 2005.07.21	Arthur	John	LIU





Tolerance:0.5  
Unit: mm