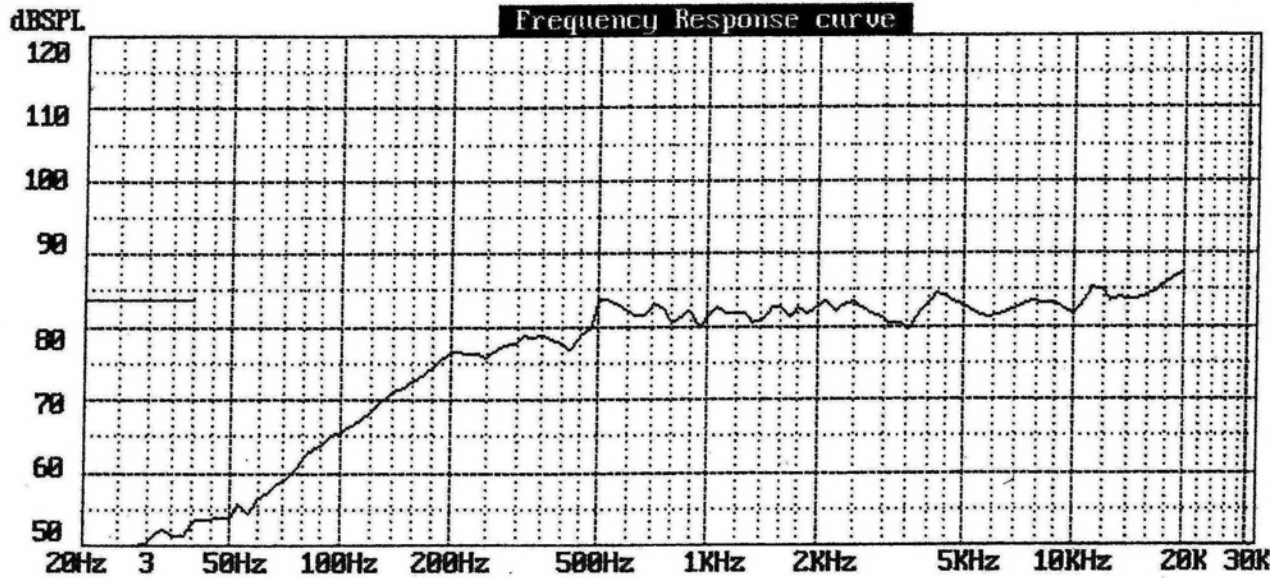


音波曲線 Frequency: HT-NO3434U4

Firm: HUEY TUNG ELECTRONIC Model: HT-NO3434U4 DATE: 07-09-2009 TIME: 15:15:37
 1000Hz Sens. = 81.2dB SPL Pass F.R.: Pass DCR: 5.53R Pass
 Average SPL: 81.5dB SPL Pass (600; 800; 1000; 1200Hz) Sweep Speed: 1/12 Oct

B 6.17

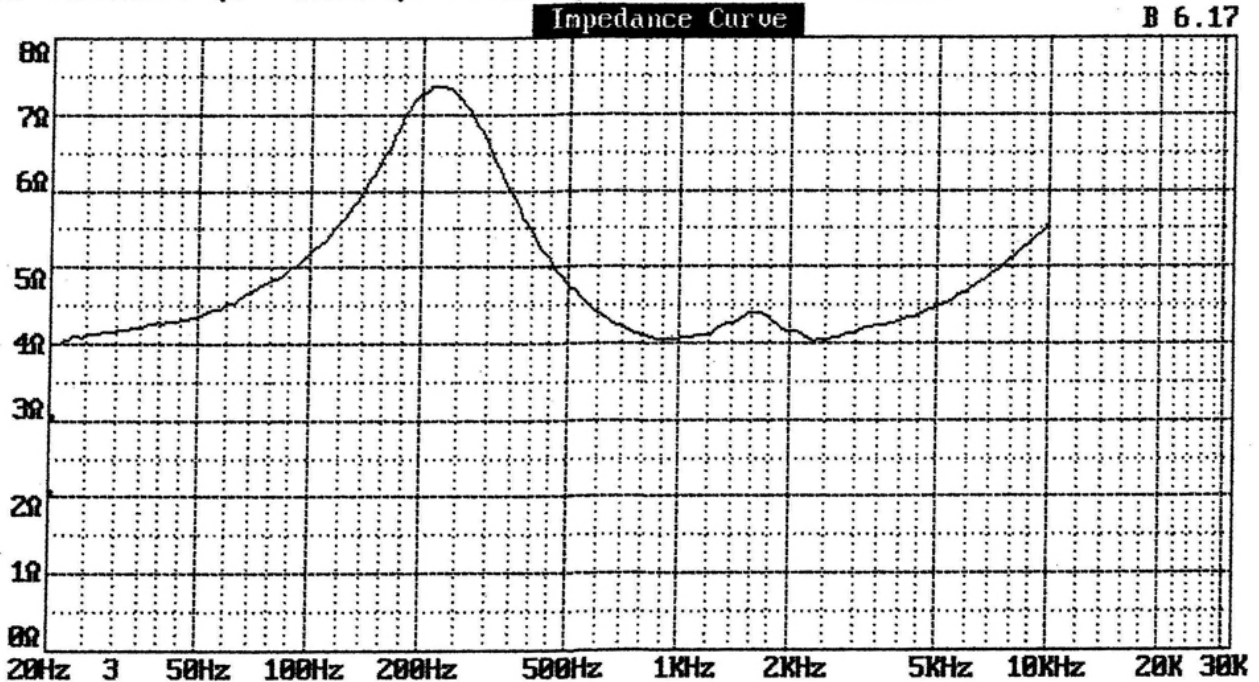


Voltage applied for F.R. = 2.830V Start F. = 20Hz Stop F. = 20000Hz
 Measuring Distance = 0.50M

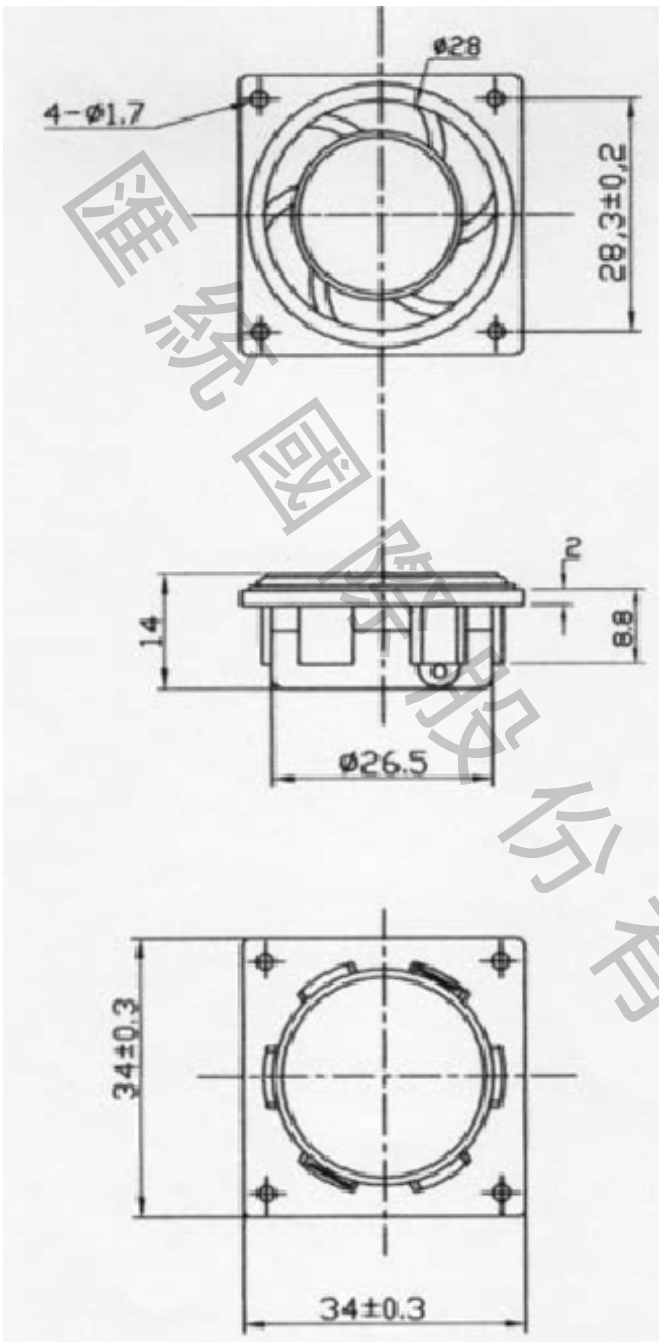
Mfg.: 40HM 2W

Firm: HUEY TUNG ELECTRONIC Model: HT-NO3434U4 DATE: 07-09-2009 TIME: 14:44:58
 ACV = 1.000V ACZ = 4.05 R @ 1000Hz.
 Start Freq. = 20Hz Stop Freq. = 10000Hz Sweep Speed: 1/24 Oct.
 Fo = 228.6Hz; Qm = 1.11; Qe = 1.35; Qt = 0.61; DCR = 3.98R.

B 6.17



Mfg.: 40HM 2W



Tolerance: ± 0.5

Unit: mm