



匯統國際股份有限公司

Huey Tung International Co., Ltd.

# 產品規格書

# Specification

[ Model : HT-G051218 / 2012.12.18 version ]



**Cara Audio Corporation**


No.69, Lane 762, Dingzhong Road, Sanmin District, Kaohsiung City, Taiwan, ROC.

Tel: 886-7-310 5786 / Fax: 886-7-310 0783

E-mail: [carawang@hueytung.com.tw](mailto:carawang@hueytung.com.tw) / <http://www.hueytung.com.tw>

# 揚聲器製品規格書 SPEAKER SPECIFICATION

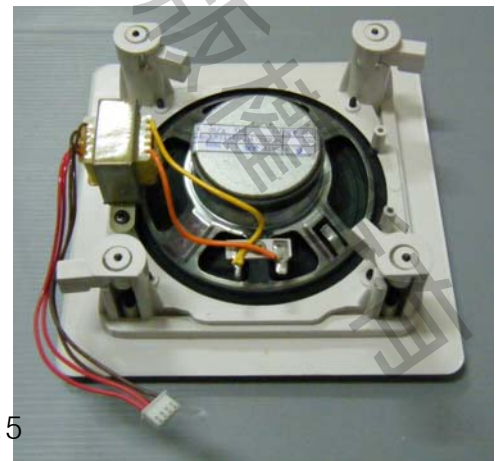
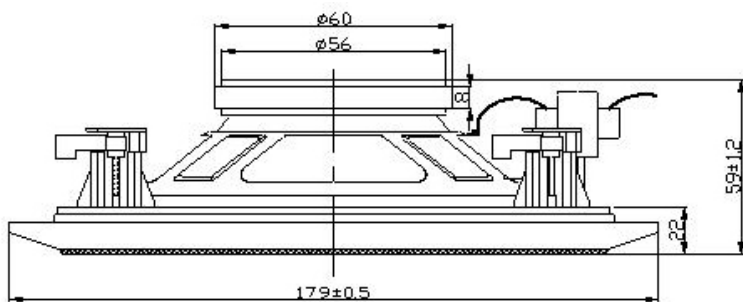
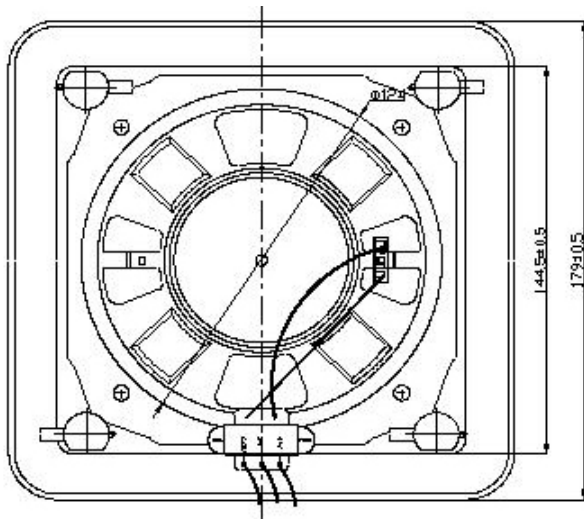
**型號 Model Number: HT-G051218**

項目 Items		規格 Specification	
1	公称阻抗 Nominal Impedance	4Ω±15% at 400 Hz 1.0v	
2	最低共振周波数 Lowest Resonance Frequency	120 Hz±20%Hz Without a baffle	
3	实效周波数带域 Effective Frequency Range	F0~20KHz -10dB	
4	出力音压 Output Sound Pressure Level	90dB±2dB 1W/1M at (300,400,500,600)Hz AVE.	
5	入力 Input	定格入力 Rated input 8 W	最大入力 Maximum input 16 W
6	磁束密度 Flux Density	-----±10% GAUSS	
7	异常音试验电压 Buzz & Rattle Test	Must be normal at sine wave 4.7 V	
8	动作试验电压 Operation Test	Must be normal at program source 4.7 V	
9	极性 Polarity	/	
10	磁石尺寸/重量 Magnet Dimension/Weigh	Magnet:2.85 OZ Sub Magnet:	/G
11	连续负荷试验 Life Test	Pink noise 8 W 48 hours	After the Test, Speaker should be meet the Outside and item 7,8
12	耐热试验 Heat Resistance	70°C±5°C 20%-25%RH 48Hours and then room temperature 1 hours	
13	耐湿试验 Humidity Resistance	40°C±2°C 90%-95%RH 48Hours and then room temperature 1 hours	
14	耐寒试验 Cold Resistance	-25°C±2°C 48Hours and then room temperature 1 hours	
15	落下试验 Drop Test	1M 75°±2°	
16	绝缘耐压试验 Insulation Resistance	Or more 1MΩ 以上	
17	周波数特性 Frequency Response Curve	参照附图 On Other Drawing	
18	失真率 Distortion	/	
19	各部 材质	Cone Paper	Paper
		Voice Coil	/
		Cap	/
20	总重量 Total Weight	625G	
	Size: 5 1/2"	Approve:	Check:
	試作發行: 2009.10.14	Arthur	John
		Design: LIU	

### SPL vs Freq



### 成品圖及照片 Mechanical Dimensions :HT-G051218



UNIT:mm Tolerance:0.5  
Unit: mm