



匯統國際股份有限公司

Huey Tung International Co., Ltd.

產品規格書

Specification

[Model : HT-710-02 / 2013.3.27 version]



Cara Audio Corporation

No.69, Lane 762, Dingzhong Road, Sanmin District, Kaohsiung City, Taiwan, ROC.


Tel: 886-7-310 5786 / Fax: 886-7-310 0783

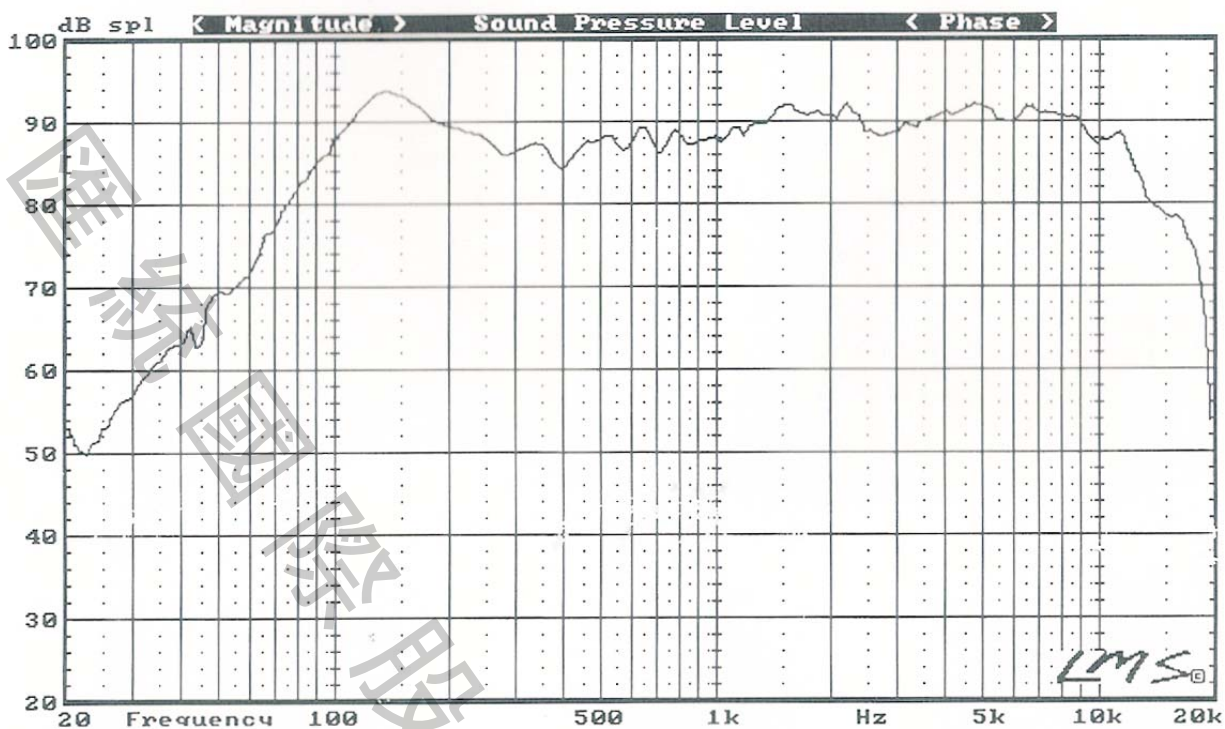
E-mail: carawang@hueytung.com.tw / <http://www.hueytung.com.tw>

揚聲器製品規格書

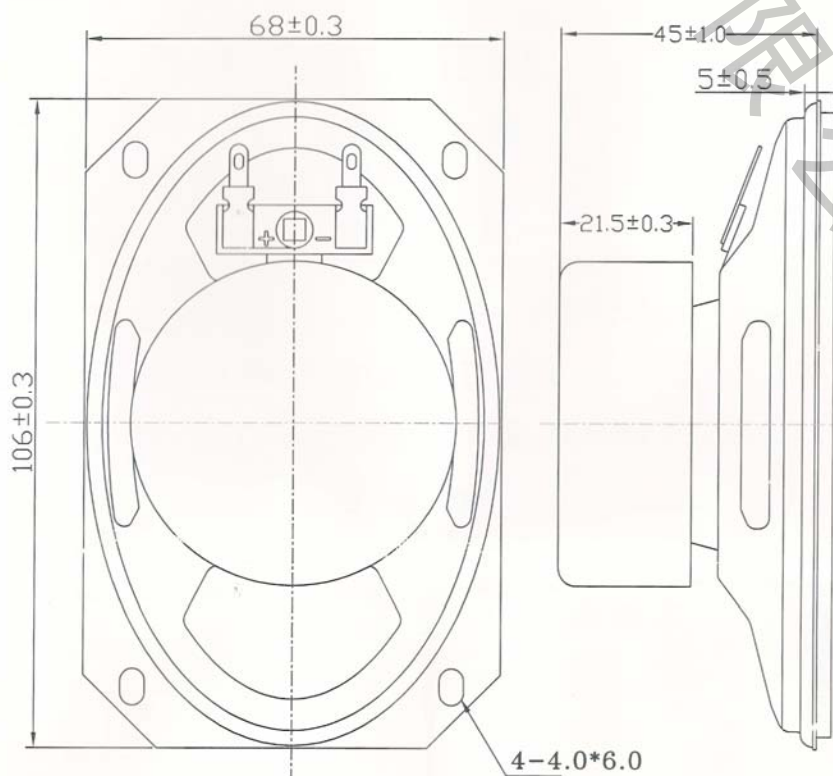
SPEAKER SPECIFICATION

型號 Model Number: HT-710-2

項目 Items		規格 Specification			
1	公称阻抗 Nominal Impedance	8Ω±15% at Hz 1.0v			
2	最低共振周波数 Lowest Resonance Frequency	130 Hz±20%Hz Without a baffle			
3	实效周波数带域 Effective Frequency Range	F0~15KHz -10dB			
4	出力音压 Output Sound Pressure Level	88dB±3dB 1W/0.5M at (400,500,600,800)Hz AVE.			
5	入力 Input	定格入力 Rated input 10 W	最大入力 Maximum input -- W		
6	磁束密度 Flux Density	7.0---±10% GAUSS			
7	异常音试验电压 Buzz & Rattle Test	Must be normal at sine wave 7.6 V			
8	动作试验电压 Operation Test	Must be normal at program source 7.6 V			
9	极性 Polarity	Positive+(Right) Hand Terminal			
10	磁石尺寸/重量 Magnet Dimension/Weigh	Magnet: 45*22*8 Sub Magnet: 36*18*6	1.71 OZ 0.81 OZ		
11	连续负荷试验 Life Test	After the Test, Speaker should be meet the Outside and item 7,8			
12	耐热试验 Heat Resistance			70°C±2°C 20%-50%RH 24Hours and then room temperature 1 hours	
13	耐湿试验 Humidity Resistance			40°C±2°C 90%-95%RH 24Hours and then room temperature 1 hours	
14	耐寒试验 Cold Resistance			-25°C±2°C 24Hours and then room temperature 1 hours	
15	落下试验 Drop Test	1M 75°±2°			
16	绝缘耐压试验 Insulation Resistance	Or more 1MΩ 以上			
17	周波数特性 Frequency Response Curve	参照附图 On Other Drawing			
18	失真率 Distortion	/			
19	各部 材质	Cone Paper	Foam edge-paper cone		
		Voice Coil	ASV		
		Cap	Paper Dust Cap		
20	总重量 Total Weight	225 g (7.94 OZ)			
	Size:68*106 試作發行: 2005.03.18	Approve: Arthur	Check: John	Design: LIU	



成品圖及照片 Mechanical Dimensions : HT-710-2



HT-710-02

Scale: 1:1
Tolerance: ± 0.5
Unit: mm