



匯統國際股份有限公司

Huey Tung International Co., Ltd.

產品規格書

Specification

[Model : HT-5710 / 2013.1.21 version]



Cara Audio Corporation

No.69, Lane 762, Dingzhong Road, Sanmin District, Kaohsiung City, Taiwan, ROC.


Tel: 886-7-310 5786 / Fax: 886-7-310 0783

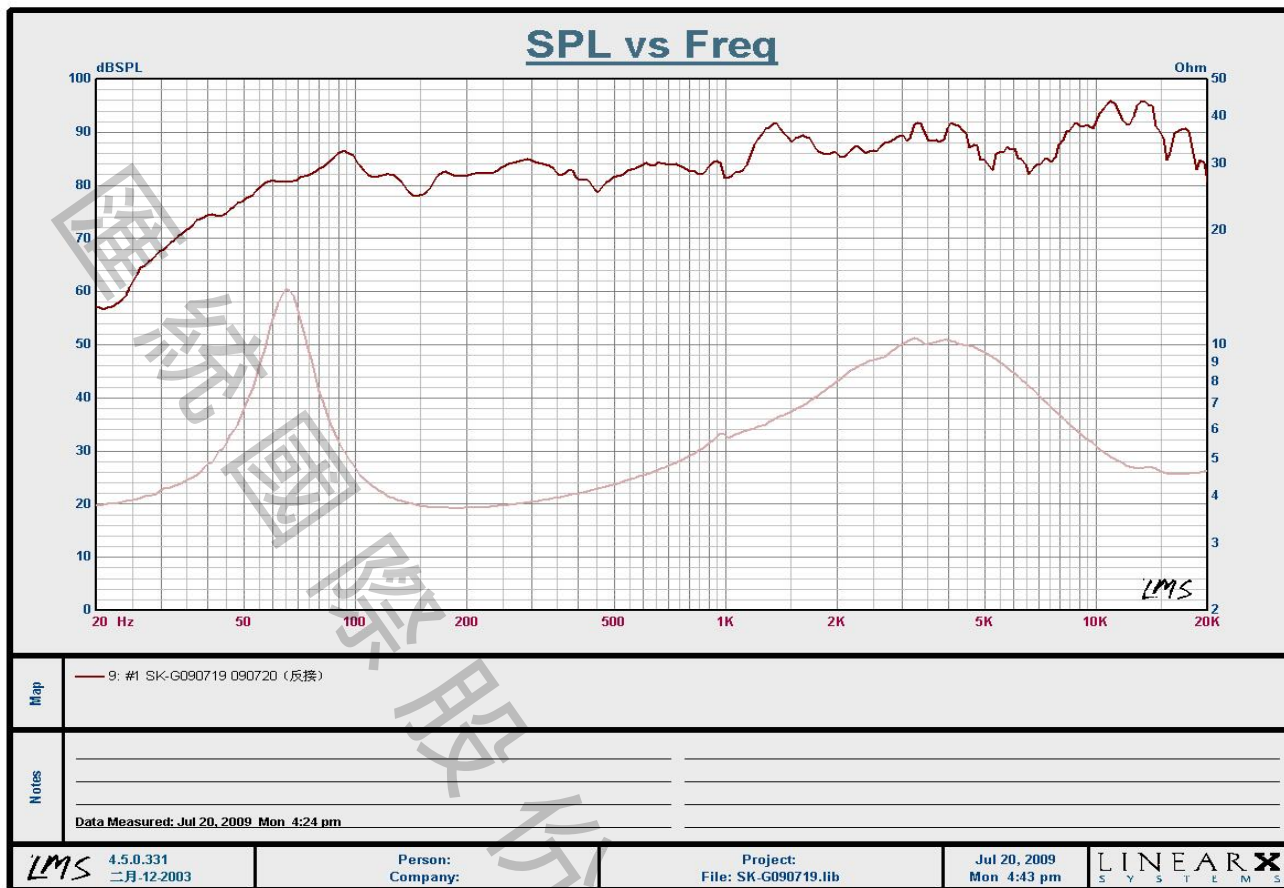
E-mail: carawang@hueytung.com.tw / <http://www.hueytung.com.tw>

揚聲器製品規格書

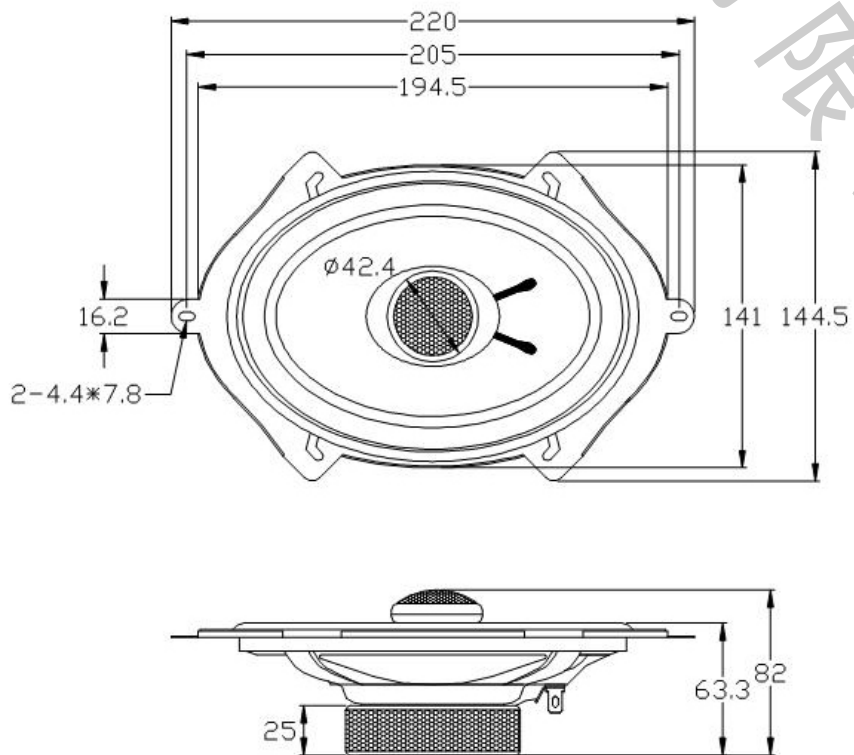
SPEAKER SPECIFICATION

型號 Model Number: HT-5710

| 項目 Items | | 規格 Specification | | |
|---|---------------------------------------|--|--|---------|
| 1 | 公称阻抗 Nominal Impedance | 4±15% Ω at 200 Hz | | |
| 2 | 最低共振周波数 Lowest Resonance Frequency | 65 Hz±20%Hz Without a baffle | | |
| 3 | 实效周波数带域 Effective Frequency Range | F0~20KHz -10dB | | |
| 4 | 出力音压 Output Sound Pressure Level | 82dB±2dB 1W/1M at (100,200,300,400)Hz AVE. | | |
| 5 | 入力 Input | 定格入力 Rated input 30 W | 最大入力 Maximum input 60 W | |
| 6 | 磁束密度 Flux Density | 2.5 --- GAUSS | | |
| 7 | 异常音试验电压 Buzz & Rattle Test | Must be normal at sine wave 7.7 V | | |
| 8 | 动作试验电压 Operation Test | Must be normal at program source 7.7 V | | |
| 9 | 极性 Polarity | / | | |
| 10 | 磁石尺寸/重量 Magnet Dimension/Weigh | Magnet:8.64 OZ Sub Magnet: | /G | |
| 11 | 连续负荷试验 Life Test | Pink noise 30 W 8 hours | After the Test, Speaker should be meet the Outside and item 7,8 | |
| 12 | 耐热试验 Heat Resistance | 70°C±2°C 20%-25%RH 8Hours and then room temperature 1 hours | | |
| 13 | 耐湿试验 Humidity Resistance | 40°C±2°C 90%-95%RH 8Hours and then room temperature 1 hours | | |
| 14 | 耐寒试验 Cold Resistance | -25°C±2°C 8Hours and then room temperature 1 hours | | |
| 15 | 落下试验 Drop Test | 1M 75°±2° | | |
| 16 | 绝缘耐压试验 Insulation Resistance | Or more 1MΩ 以上 | | |
| 17 | 周波数特性 Frequency Response Curve | 参照附图 On Other Drawing | | |
| 18 | 失真率 Distortion | / | | |
| 19 | 各部 材质 | Cone Paper | Rubber Edge + Nomex Boby | |
| | | Voice Coil | Φ25.5 KSV | |
| | | Cap | / | |
| 20 | 总重量 Total Weight | / | | |
|  | Size: 5" x7" | Approve: | Check: | Design: |
| | 試作發行: 2009.07.16 | Arthur | John | LIU |



成品圖及照片 Mechanical Dimensions : HT-5710



Scale:1:1
Toerance:±0.5
Unit:mm