



匯統國際股份有限公司

Huey Tung International Co., Ltd.

# 產品規格書

# Specification

[ Model : HT-5178 / 2013.1.16 version ]



**Cara Audio Corporation**

No.69, Lane 762, Dingzhong Road, Sanmin District, Kaohsiung City, Taiwan, ROC.


Tel: 886-7-310 5786 / Fax: 886-7-310 0783

E-mail: [carawang@hueytung.com.tw](mailto:carawang@hueytung.com.tw) / <http://www.hueytung.com.tw>

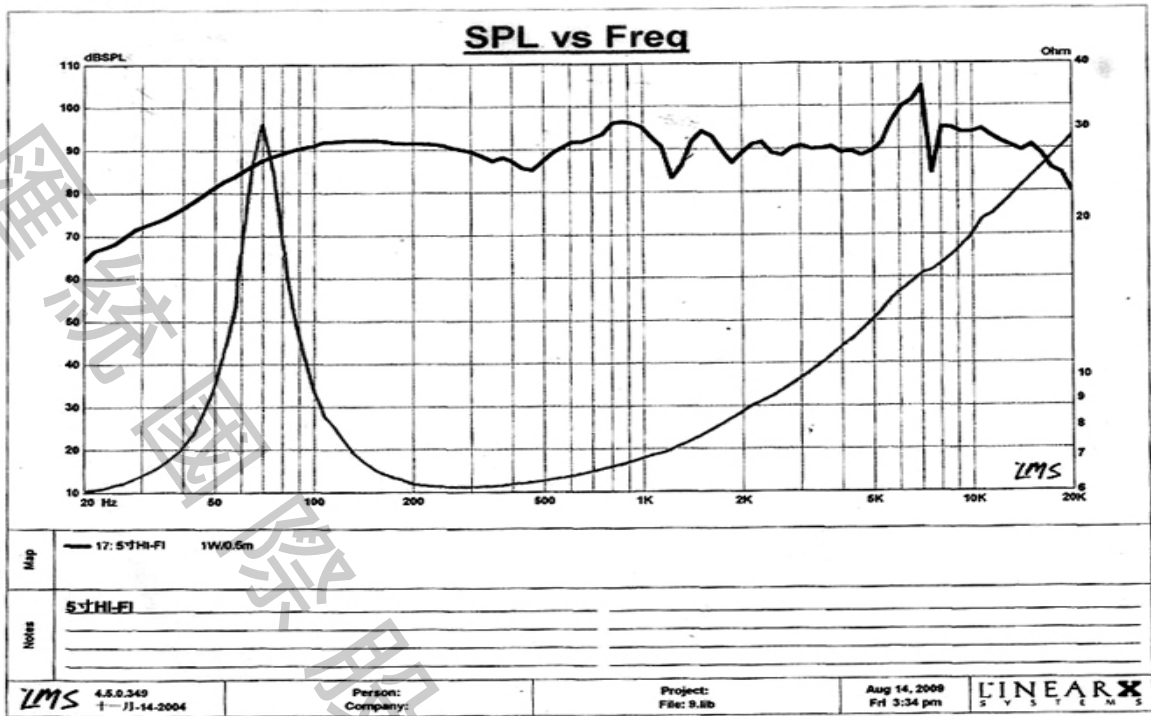
# 揚聲器製品規格書

## SPEAKER SPECIFICATION

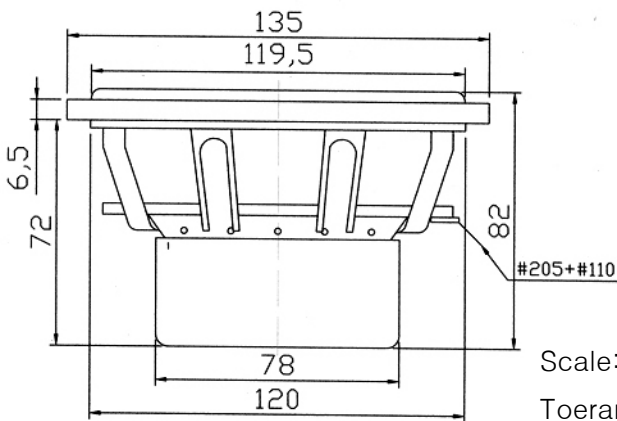
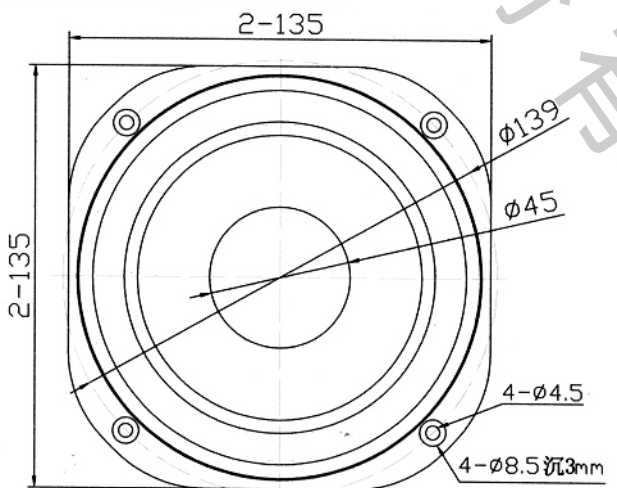
**型號 Model Number: HT-5178**

項目 Items		規格 Specification	
1	公称阻抗 Nominal Impedance	8Ω±5% at 300 Hz 1.0v	
2	最低共振周波数 Lowest Resonance Frequency	70 Hz±20%Hz Without a baffle	
3	实效周波数带域 Effective Frequency Range	F0~19KHz -10dB	
4	出力音压 Output Sound Pressure Level	93dB±3dB 1W/0.5M at (600,800,1K,1.2K)Hz AVE.	
5	入力 Input	定格入力 Rated input 15 W	最大入力 Maximum input 30 W
6	磁束密度 Flux Density	-----±10% GAUSS	
7	异常音试验电压 Buzz & Rattle Test	Must be normal at sine wave 12.65 V	
8	动作试验电压 Operation Test	Must be normal at program source 10.95 V	
9	极性 Polarity	/	
10	磁石尺寸/重量 Magnet Dimension/Weigh	Magnet:70*32*15 Sub Magnet:	/G
11	连续负荷试验 Life Test	EIA-R426B noise 15 W 8 hours	After the Test, Speaker should be meet the Outside and item 7,8
12	耐热试验 Heat Resistance	70°C±5°C 30%-35%RH 8Hours and then room temperature 1 hours	
13	耐湿试验 Humidity Resistance	40°C±2°C 90%-95%RH 8Hours and then room temperature 1 hours	
14	耐寒试验 Cold Resistance	-25°C±2°C 24Hours and then room temperature 1 hours	
15	落下试验 Drop Test	1M 75°±2°	
16	绝缘耐压试验 Insulation Resistance	Or more 1MΩ 以上	
17	周波数特性 Frequency Response Curve	参照附图 On Other Drawing	
18	失真率 Distortion	/	
19	各部 材质	Cone Paper	Rubber Edge+Aluminum cone
		Voice Coil	Kapton+SV
		Cap	Aluminum
20	总重量 Total Weight	/	
	Size: 5"	Approve:	Check:
	試作發行: 2009.08.28	Arthur	John
		Design: LIU	

音波曲線 Frequency: HT-5178



成品圖及照片 Mechanical Dimensions : HT-5178



Scale:1:1  
Toerance:±0.5  
Unit:mm