

匯統國際股份有限公司  
Huey Tung International Co., Ltd.

# 產品規格書 Specification

[ Model : HT-2450 / 2017.09.04 Version ]



**Cara Audio Corporation**

No.69, Lane 762, Dingzhong Road, Sanmin District, Kaohsiung City, Taiwan, ROC.


Tel: 886-7-310 5786 / Fax: 886-7-310 0783

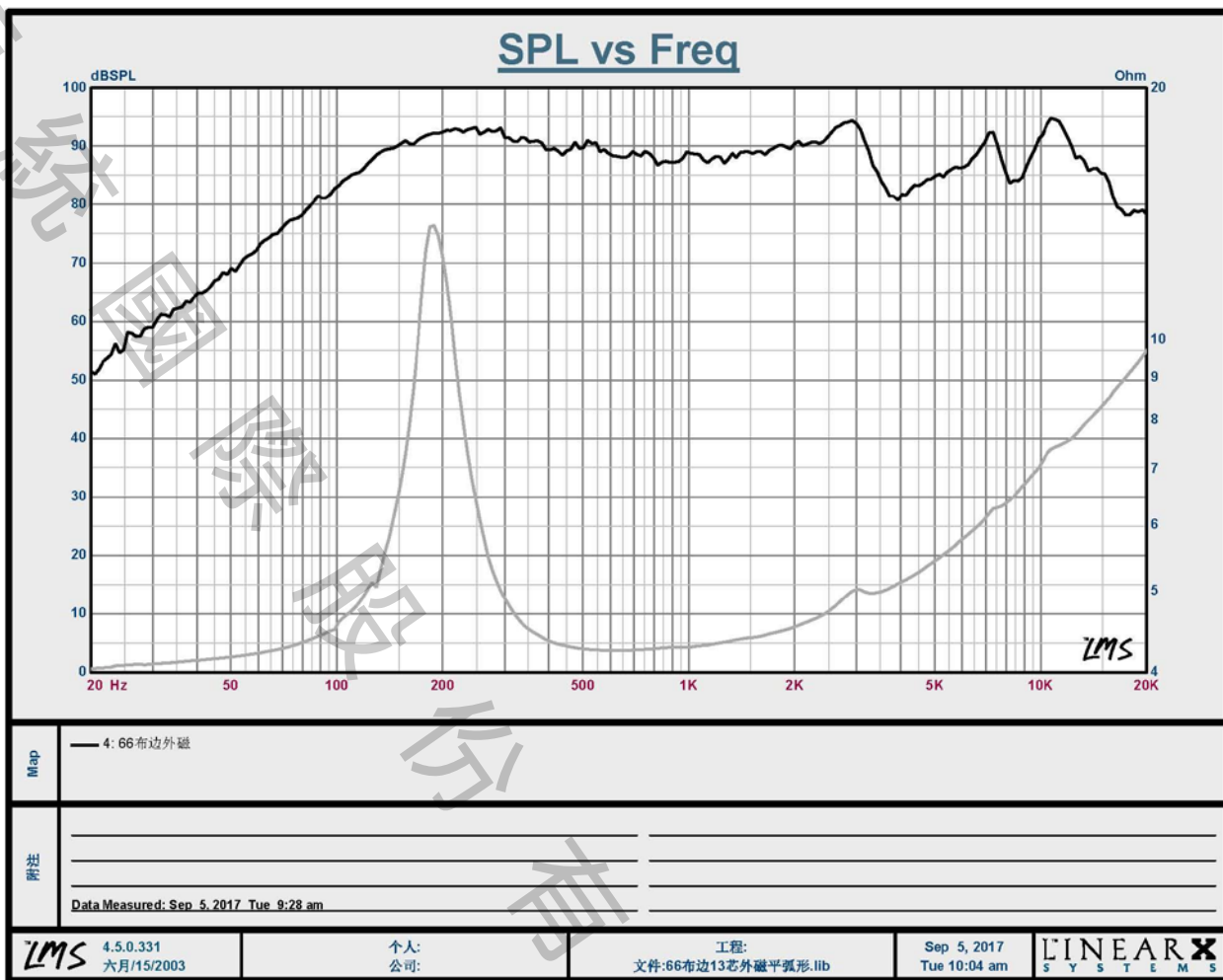
E-mail: [carawang@hueytung.com.tw](mailto:carawang@hueytung.com.tw) / <http://www.hueytung.com.tw>

# 揚聲器製品規格書

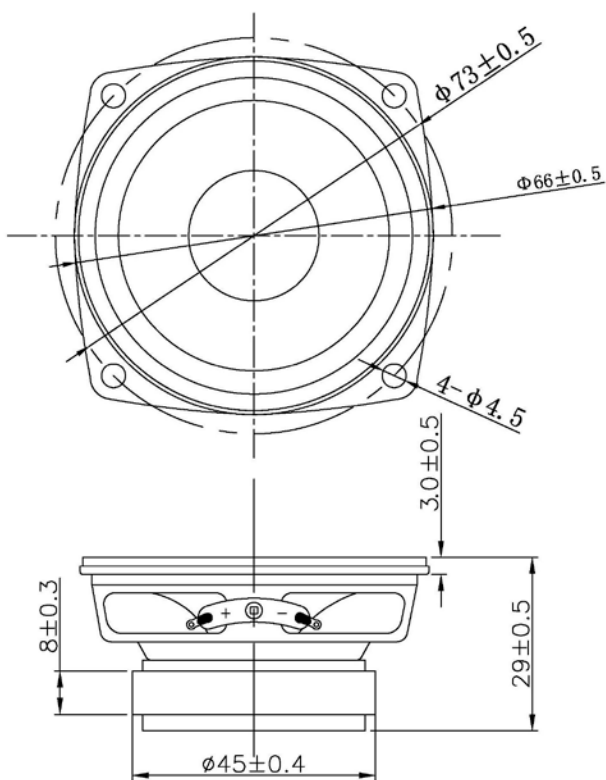
## SPEAKER SPECIFICATION

型號 Model Number: HT-2450

項目 Items		規格 Specification		
1	公称阻抗 Nominal Impedance	4Ω±5%		
2	最低共振周波数 Lowest Resonance Frequency	180Hz±20%Hz without baffle		
3	实效周波数帯域 Effective Frequency Range	F0~18KHz -10dB		
4	出力音压 Output Sound Pressure Level	85dB±3dB 1W/1M at (200, 300, 400, 500)Hz AVE.		
5	入力 Input	定格入力 Rated input 3 W	最大入力 Maximum input 5 W	
6	磁束密度 Flux Density	-----±10% GAUSS		
7	异常音试验电压 Buzz & Rattle Test	Must be normal at sine wave 3.47V 180Hz-3000Hz		
8	动作试验电压 Operation Test	Must be normal sine wave		
9	极性 Polarity			
10	磁石尺寸/重量 Magnet Dimension/Weigh	Magnet:Φ45*19*8 Sub Magnet:		
11	连续负荷试验 Life Test	Pink noise 5W 48H	After the Test, Speaker should be meet the Outside and item 7,8	
12	耐热试验 Heat Resistance	55°C±2°C 20%-25%RH 16Hours and then room temperature 1 hours		
13	耐湿试验 Humidity Resistance	40°C±2°C 90%-95%RH 48Hours and then room temperature 1 hours		
14	耐寒试验 Cold Resistance	-20°C±2°C 8Hours		
15	落下试验 Drop Test	1M 75°±2°		
16	绝缘耐压试验 Insulation Resistance	Or more 1MΩ 以上		
17	周波数特性 Frequency Response Curve	参照附图 On Other Drawing		
18	失真率 Distortion			
19	各部 材质	Cone	Paper cone + Cloth edge	
		Voice Coil	Φ13.28mm KSV 2L	
		Frame		
20	总重量 Total Weight	G		
	Size:66MM	Approve:	Check:	Design:
	試作發行: 2017.09.04	Arthur	Chen	WANG



成品圖 Mechanical Dimensions : HT-2450



Tolerance: 0.5  
Unit: mm