



匯統國際股份有限公司

Huey Tung International Co., Ltd.

產品規格書

Specification

[Model : HT-198A / 2012.11.14 version]



Cara Audio Corporation

No.69, Lane 762, Dingzhong Road, Sanmin District, Kaohsiung City, Taiwan, ROC.


Tel: 886-7-310 5786 / Fax: 886-7-310 0783

E-mail: carawang@hueytung.com.tw / <http://www.hueytung.com.tw>

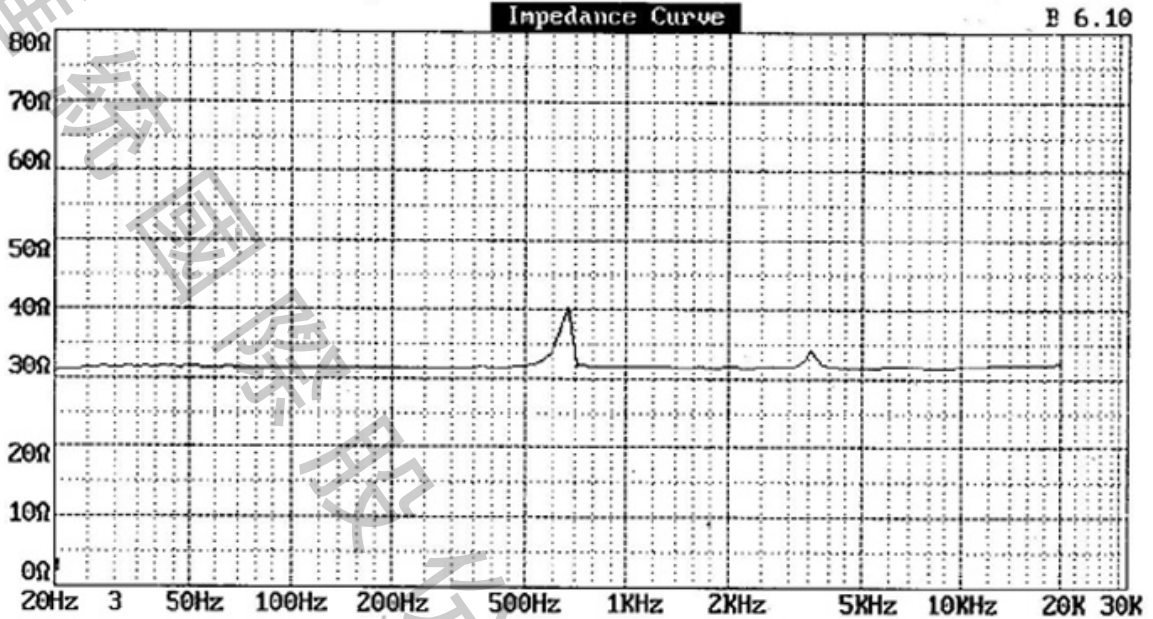
揚聲器製品規格書

SPEAKER SPECIFICATION

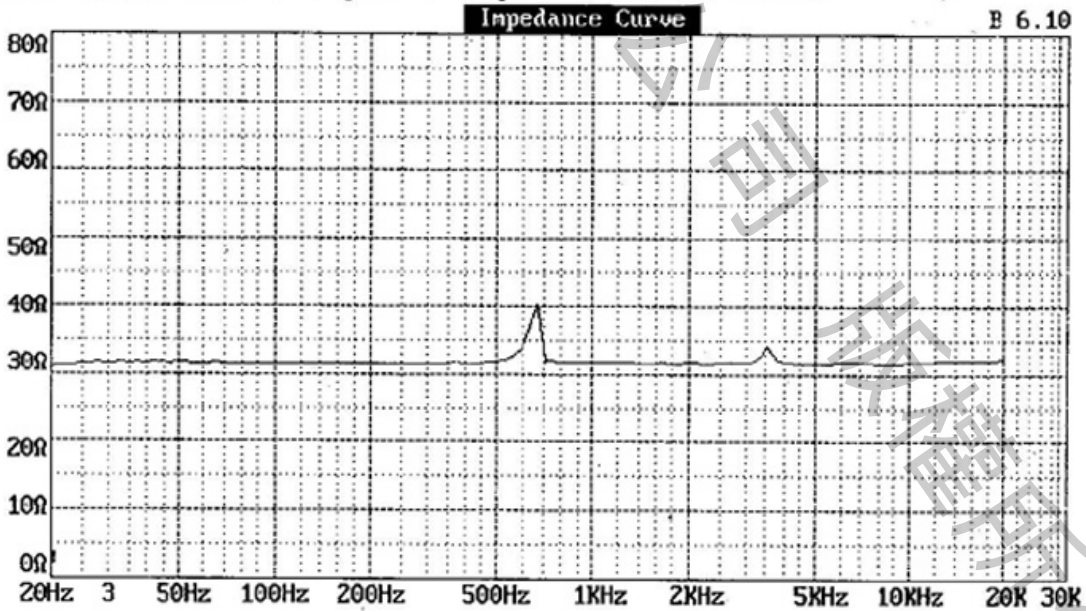
型號 Model Number: HT-198A

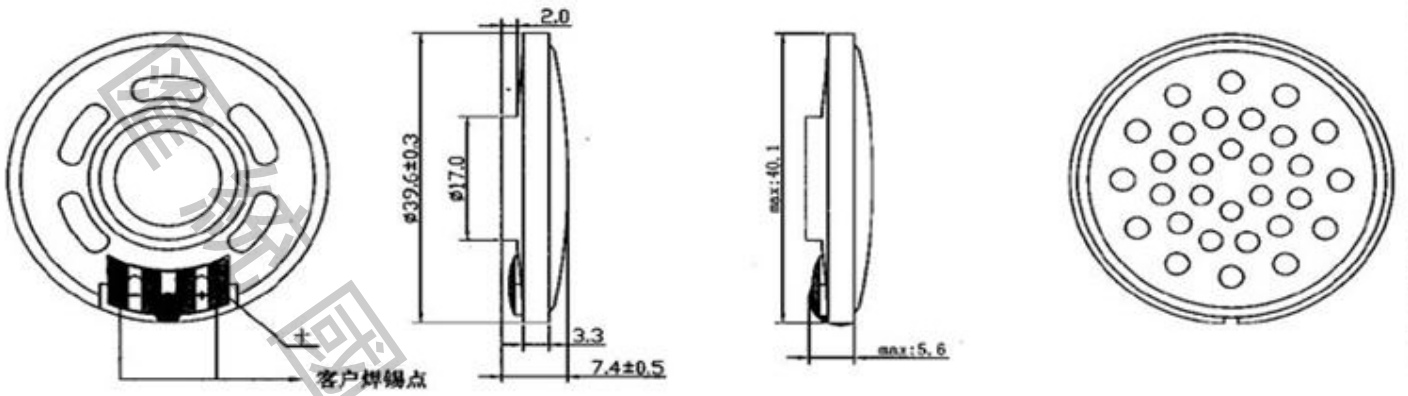
項目 Items		規格 Specification		
1	公称阻抗 Nominal Impedance	32Ω±15% at 1000 Hz		
2	最低共振周波数 Lowest Resonance Frequency	630 Hz±20%Hz Without a baffle		
3	实效周波数带域 Effective Frequency Range	F0~4KHz -10dB		
4	出力音压 Output Sound Pressure Level	91dB±3dB 0.5W/0.1M at (1000~2000)Hz AVE.		
5	入力 Input	定格入力 Rated input 0.5 W	最大入力 Maximum input 0.6 W	
6	磁束密度 Flux Density	-----±10% GAUSS		
7	异常音试验电压 Buzz & Rattle Test	Must be normal at sine wave 4.0 V		
8	动作试验电压 Operation Test	Must be normal at program source 0.5 W		
9	极性 Polarity	從 SP 端子正極輸入正電流,另一端輸入負電流時,振動板向前推出.		
10	磁石尺寸/重量 Magnet Dimension/Weigh	Magnet: 9.5*1.5 N35 Sub Magnet:	0.8 G	
11	连续负荷试验 Life Test	White noise 0.5 W 24 hours	After the Test, Speaker should be meet the Outside and item 7,8	
12	耐热试验 Heat Resistance	65°C±2°C 20%-25%RH 16Hours and then room temperature 1 hours		
13	耐湿试验 Humidity Resistance	50°C±2°C 90%-95%RH 48Hours and then room temperature 1 hours		
14	耐寒试验 Cold Resistance	-20°C±3°C 90%-95%RH 16Hours and then room temperature 1 hours		
15	落下试验 Drop Test	1M 75°±2°		
16	绝缘耐压试验 Insulation Resistance	Or more 1MΩ 以上		
17	周波数特性 Frequency Response Curve	参照附图 On Other Drawing		
18	失真率 Distortion	5% less than 0.5 W , 1000 Hz more than		
19	各部 材质	Cone Paper	NdFeB	
		Voice Coil	/	
		Cap	/	
20	总重量 Total Weight	/		
	Size: 40mm	Approve:	Check:	Design:
	試作發行: 2007.7.10	Arthur	Chen	LIU

Firm: HUEY TUNG ELECTRONIC Model: HT-198A-1 DATE: 07-10-2006 TIME: 16:14:45
ACU = 1.000V ACZ = 31.7 Ω @ 1000Hz.
Start Freq. = 20Hz Stop Freq. = 20000Hz Sweep Speed: 1/12 Oct.
Fo = 626Hz: Qm = . ; Qe = . ; Qt = . ; DCR = 30.9 Ω .



Firm: HUEY TUNG ELECTRONIC Model: HT-198A-1 DATE: 07-10-2006 TIME: 16:14:45
ACU = 1.000V ACZ = 31.7 Ω @ 1000Hz.
Start Freq. = 20Hz Stop Freq. = 20000Hz Sweep Speed: 1/12 Oct.
Fo = 626Hz: Qm = . ; Qe = . ; Qt = . ; DCR = 30.9 Ω .





Tolerance: ± 0.5

Unit: mm