



匯統國際股份有限公司

Huey Tung International Co., Ltd.

產品規格書

Specification

[Model : HT-194 / 2013.3.11 version]



HT-194



Cara Audio Corporation

No.69, Lane 762, Dingzhong Road, Sanmin District, Kaohsiung City, Taiwan, ROC.


Tel: 886-7-310 5786 / Fax: 886-7-310 0783

E-mail: carawang@hueytung.com.tw / <http://www.hueytung.com.tw>

揚聲器製品規格書

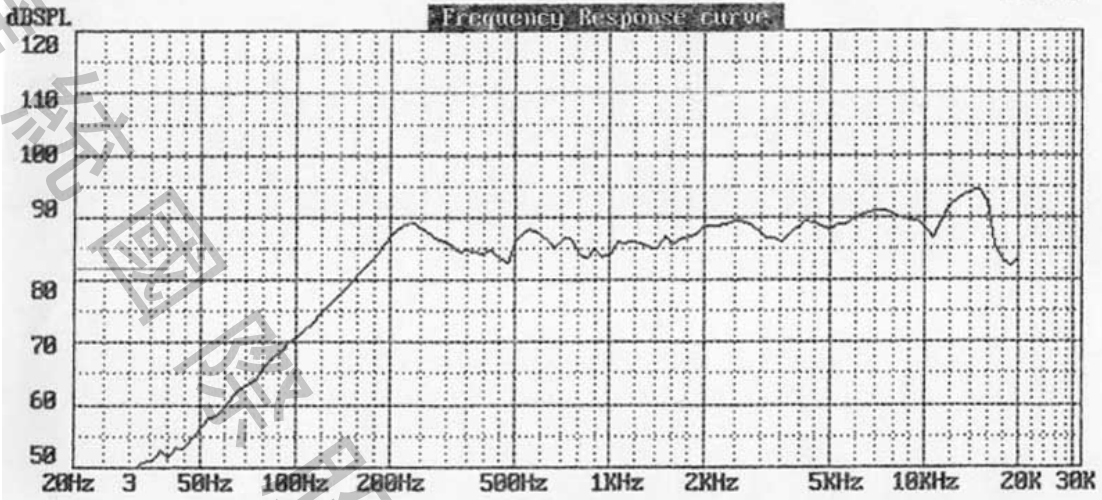
SPEAKER SPECIFICATION

型號 Model Number: HT-194

項目 Items		規格 Specification		
1	公称阻抗 Nominal Impedance	4Ω±15% at 1K Hz 1.0v		
2	最低共振周波数 Lowest Resonance Frequency	210 Hz±20%Hz Without a baffle		
3	实效周波数带域 Effective Frequency Range	F0~20KHz -10dB		
4	出力音压 Output Sound Pressure Level	85dB±3dB 1W/0.5M at (600,800,1000,12000)Hz AVE.		
5	入力 Input	定格入力 Rated input 3 W	最大入力 Maximum input 5 W	
6	磁束密度 Flux Density	-----±10% GAUSS		
7	异常音试验电压 Buzz & Rattle Test	Must be normal at sine wave 2.45 V		
8	动作试验电压 Operation Test	Must be normal at program source 3.46 V		
9	极性 Polarity	左正極		
10	磁石尺寸/重量 Magnet Dimension/Weigh	Magnet: 15.5*4.5 N35 Sub Magnet:	6 G	
11	连续负荷试验 Life Test	Din45573 noise 3 W 96 hours	After the Test, Speaker should be meet the Outside and item 7,8	
12	耐热试验 Heat Resistance	70°C±2°C 30%-35%RH 8Hours and then room temperature 1 hours		
13	耐湿试验 Humidity Resistance	40°C±2°C 90%-95%RH 8Hours and then room temperature 1 hours		
14	耐寒试验 Cold Resistance	-25°C±2°C 24Hours and then room temperature 1 hours		
15	落下试验 Drop Test	1M 75°±2°		
16	绝缘耐压试验 Insulation Resistance	Or more 1MΩ 以上		
17	周波数特性 Frequency Response Curve	参照附图 On Other Drawing		
18	失真率 Distortion	/		
19	各部 材质	Cone Paper	Paper Cone + PU edge	
		Voice Coil	16φ x 4Ω PSV	
		Cap	Cloth	
20	总重量 Total Weight	/		
	Size: 16.4 mm	Approve:	Check:	Design:
	試作發行: 2008.10.23	Arthur	John	LIU

Firm: HUEY TUNG ELECTRONIC Model: HT-194(C40U4) DATE: 10-22-2008 TIME: 17:50:19
 1000Hz Sens. = 83.9dB SPL Pass F.R.: Pass DCR: 5.27Ω Pass
 Average SPL: 85.6dB SPL Pass (600; 800; 1000; 1200Hz) Sweep Speed: 1/12 Oct.

B 6.17

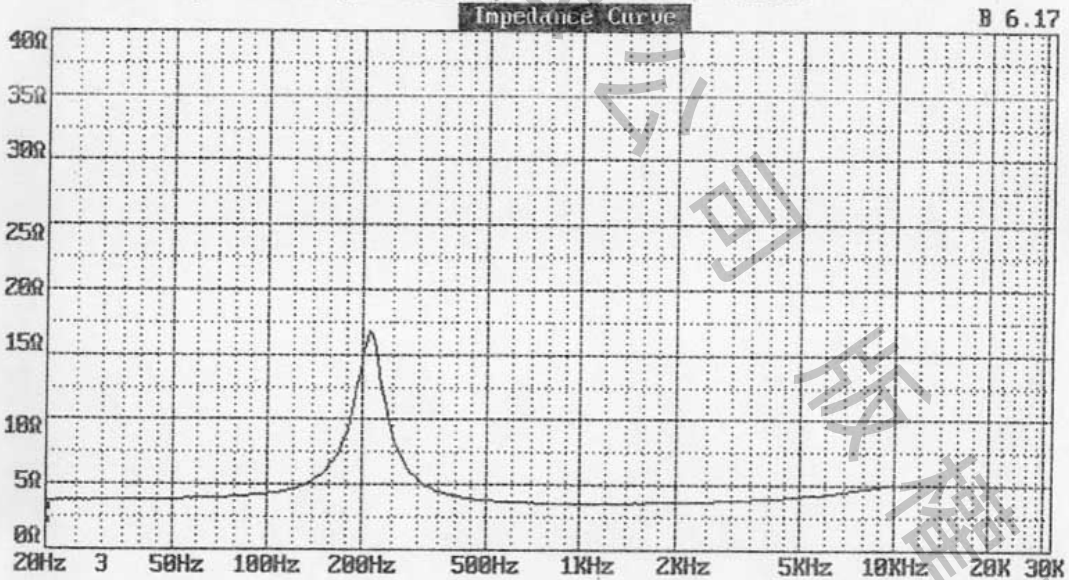


Voltage applied for F.R. = 3.464V Start F. = 20Hz Stop F. = 20000Hz
 Measuring Distance = 0.50M

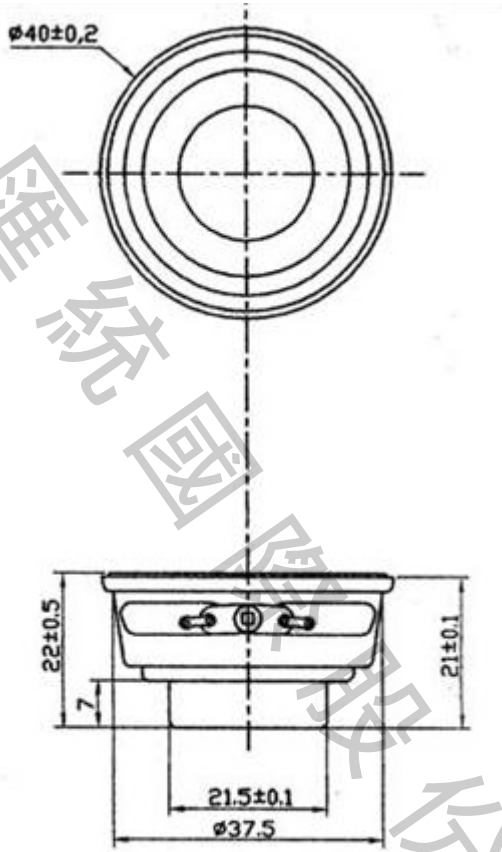
Mfg.: 40HM 3W

Firm: HUEY TUNG ELECTRONIC Model: HT-194(C40U4) DATE: 10-22-2008 TIME: 17:56:20
 ACU = 1.000V ACZ = 3.62 Ω @ 1000Hz.
 Start Freq. = 20Hz Stop Freq. = 10000Hz Sweep Speed: 1/10 Oct.
 Fo = 210.2Hz; Qm = 5.52; Qe = 1.64; Qt = 1.27; DCR = 3.81Ω.

B 6.17



Mfg.: 40HM 3W



HT-194

Seale: 1:1

Tolerance: ± 0.5

Unit: mm