

匯統國際股份有限公司

Huey Tung International Co., Ltd.

# 產品規格書

# Specification

[ Model : HT-191 / 2013.3.15 version ]



**Cara Audio Corporation**

No.69, Lane 762, Dingzhong Road, Sanmin District, Kaohsiung City, Taiwan, ROC.


Tel: 886-7-310 5786 / Fax: 886-7-310 0783

E-mail: [carawang@hueytung.com.tw](mailto:carawang@hueytung.com.tw) / <http://www.hueytung.com.tw>

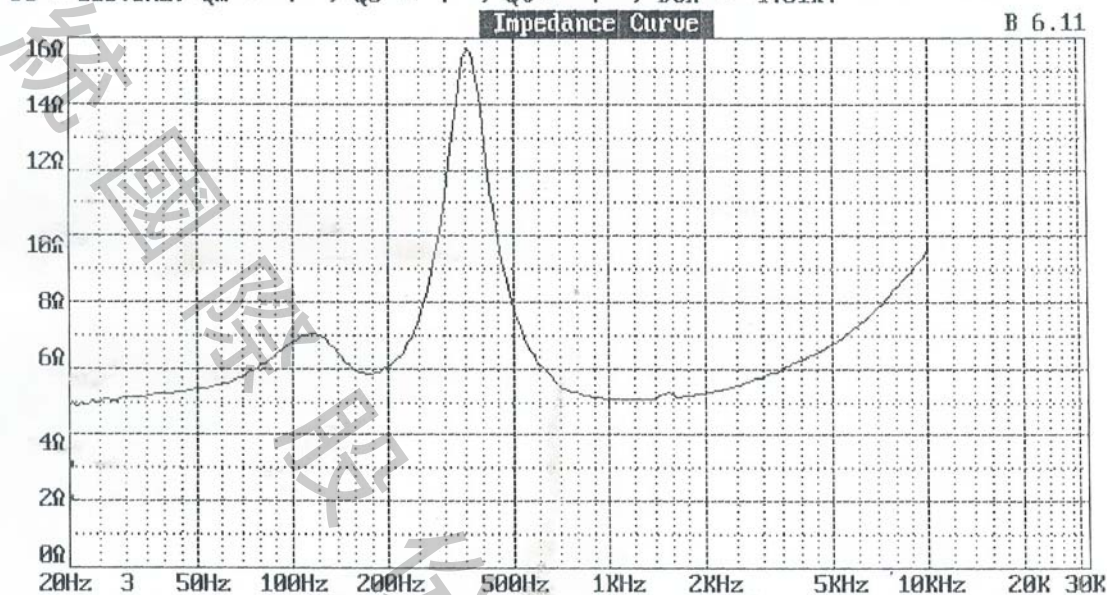
# 揚聲器製品規格書

## SPEAKER SPECIFICATION

型號 Model Number: HT-191

項目 Items		規格 Specification		
1	公称阻抗 Nominal Impedance	4Ω±15% at 1000 Hz 1.0v		
2	最低共振周波数 Lowest Resonance Frequency	110 Hz±20%Hz Without a baffle		
3	实效周波数带域 Effective Frequency Range	F0~20KHz -10dB		
4	出力音压 Output Sound Pressure Level	84dB±3dB 1W/0.5M at (600,800,1000,1200K)Hz AVE.		
5	入力 Input	定格入力 Rated input 3 W	最大入力 Maximum input 5 W	
6	磁束密度 Flux Density	-----±10% GAUSS		
7	异常音试验电压 Buzz & Rattle Test	Must be normal at sine wave 2.45 V		
8	动作试验电压 Operation Test	Must be normal at program source 3.46 V		
9	极性 Polarity	/		
10	磁石尺寸/重量 Magnet Dimension/Weigh	Magnet: 18.5*4 Sub Magnet:	8 G	
11	连续负荷试验 Life Test	PinkDin45573 noise 3 W hours	After the Test, Speaker should be meet the Outside and item 7,8	
12	耐热试验 Heat Resistance	55°C±2°C 20%-25%RH 8Hours and then room temperature 1 hours		
13	耐湿试验 Humidity Resistance	40°C±2°C 90%-95%RH 8Hours and then room temperature 1 hours		
14	耐寒试验 Cold Resistance	-25°C±2°C 24Hours and then room temperature 1 hours		
15	落下试验 Drop Test	1M 75°±2°		
16	绝缘耐压试验 Insulation Resistance	Or more 1MΩ 以上		
17	周波数特性 Frequency Response Curve	参照附图 On Other Drawing		
18	失真率 Distortion	5% Less than at 3W 1000Hz		
19	各部 材质	Cone Paper	PU edge	
		Voice Coil	KAP+SV 19φ	
		Cap	/	
20	总重量 Total Weight	/		
	Size: 100*34*16	Approve:	Check:	Design:
	試作發行: 2005.11.28	Arthur	John	LIU

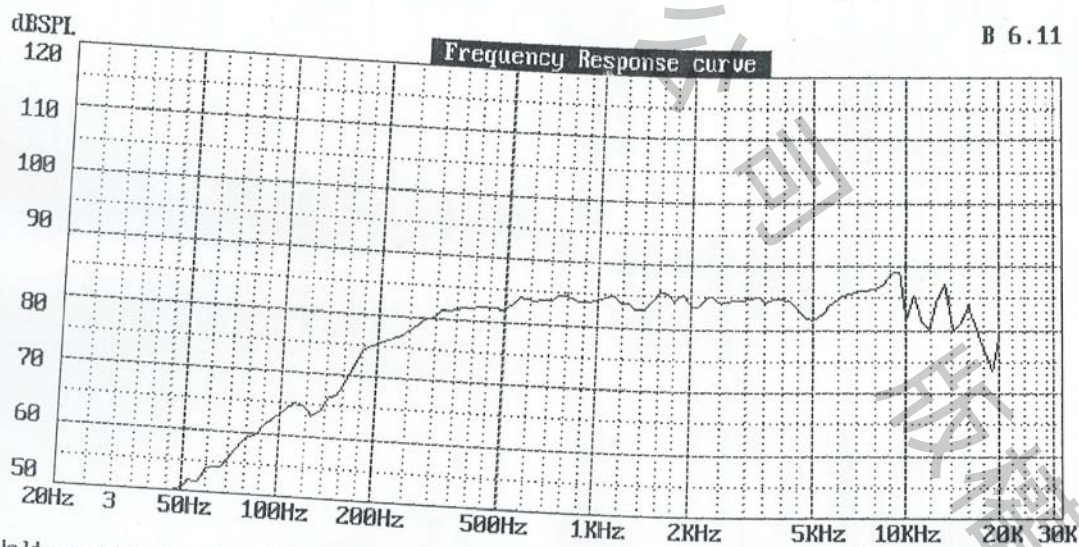
Firm:5258 Model:YS-NS2040B10U4 DATE:11-27-2005 TIME:11:20:51  
 ACU = 1.000V ACZ = 5.09 Ω @ 1000Hz.  
 Start Freq. = 20Hz Stop Freq. = 10000Hz Sweep Speed: 1/24 Oct.  
 Fo = 110.6Hz; Qm = . ; Qe = . ; Qt = . ; DCR = 4.01Ω.



Mfg.:4HM 3W

Measured using Sunlight 1600; Fax:886-2-22230727

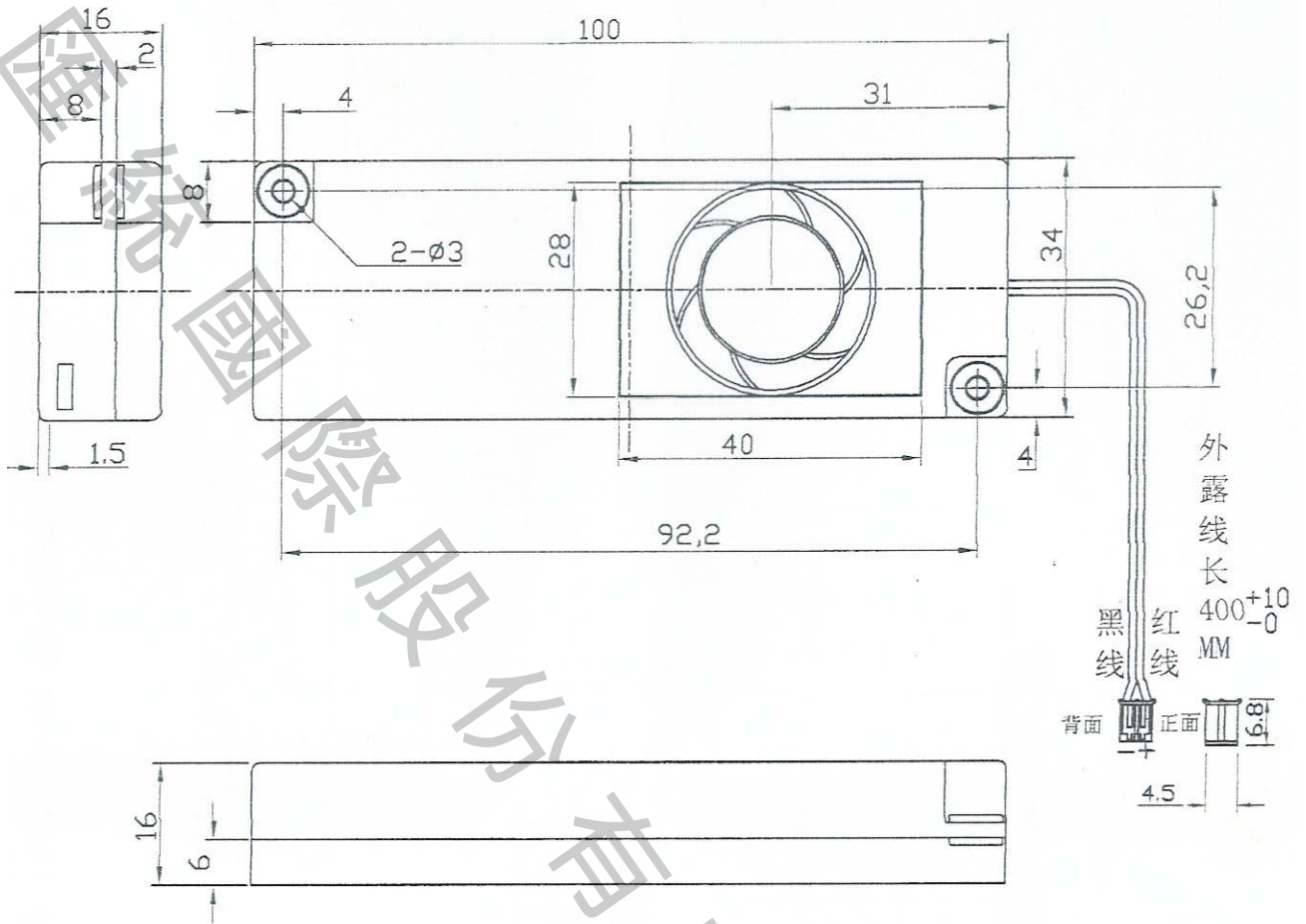
Firm:5258 Model:YS-NS2040B10U4 DATE:11-27-2005 TIME:11:16:00  
 1000Hz Sens. = 84.0dB SPL Pass F.R.: Pass DCR: 4.00Ω Pass  
 Average SPL: 84.0dB SPL Pass ( 600; 800; 1000; 1200Hz) Sweep Speed: 1/12 Oct.



Voltage applied for **F.R.** = 3.460V **Start F.** = 20Hz **Stop F.** = 20000Hz  
 Measuring Distance = 0.50M

Mfg.:4HM 3W

Measured using Sunlight 1600; Fax:886-2-22230727



Tolerance: 0.2  
Unit: mm