



匯統國際股份有限公司

Huey Tung International Co., Ltd.

產品規格書

Specification

[Model : HT-1041 / 2013.3.14 version]



HT-1041



Cara Audio Corporation

No.69, Lane 762, Dingzhong Road, Sanmin District, Kaohsiung City, Taiwan, ROC.


Tel: 886-7-310 5786 / Fax: 886-7-310 0783

E-mail: carawang@hueytung.com.tw / <http://www.hueytung.com.tw>

揚聲器製品規格書

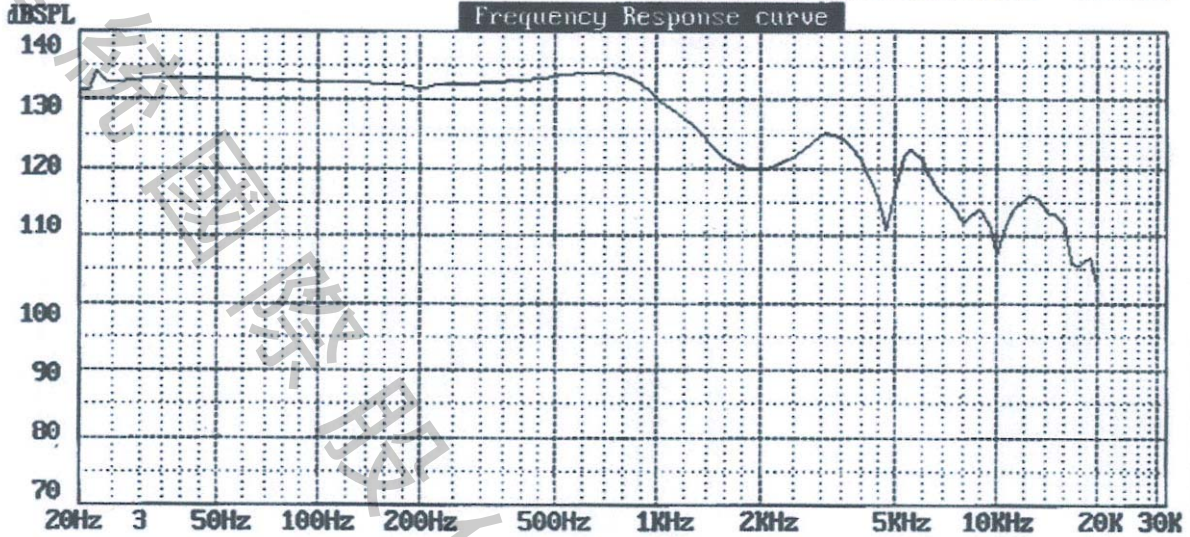
SPEAKER SPECIFICATION

型號 Model Number: HT-1041

| 項目 Items | | 規格 Specification | | |
|---|---------------------------------------|--|--|----------------|
| 1 | 公称阻抗 Nominal Impedance | 32Ω±15% at 1000 Hz 1.0v | | |
| 2 | 最低共振周波数 Lowest Resonance Frequency | 87 Hz±20%Hz Without a baffle | | |
| 3 | 实效周波数带域 Effective Frequency Range | F0~/Hz /dB | | |
| 4 | 出力音压 Output Sound Pressure Level | 132dB±3dB 20mW at 1000 Hz AVE. | | |
| 5 | 入力 Input | 定格入力 Rated input 20 W | 最大入力 Maximum input 30 W | |
| 6 | 磁束密度 Flux Density | -----±10% GAUSS | | |
| 7 | 异常音试验电压 Buzz & Rattle Test | Must be normal at sine wave 0.8 V | | |
| 8 | 动作试验电压 Operation Test | Must be normal at program source 20mW | | |
| 9 | 极性 Polarity | / | | |
| 10 | 磁石尺寸/重量 Magnet Dimension/Weigh | Magnet:15*3 Sub Magnet: | 3.9 G | |
| 11 | 连续负荷试验 Life Test | White noise 20m W 12 hours | After the Test, Speaker should be meet the Outside and item 7,8 | |
| 12 | 耐热试验 Heat Resistance | 60°C±2°C 20%-25%RH 12 Hours and then room temperature 1 hours | | |
| 13 | 耐湿试验 Humidity Resistance | 50°C±2°C 90%-95%RH 12Hours and then room temperature 1 hours | | |
| 14 | 耐寒试验 Cold Resistance | -20°C±3°C 12Hours and then room temperature 1 hours | | |
| 15 | 落下试验 Drop Test | 1M 75°±2° | | |
| 16 | 绝缘耐压试验 Insulation Resistance | Or more 1MΩ 以上 | | |
| 17 | 周波数特性 Frequency Response Curve | 参照附图 On Other Drawing | | |
| 18 | 失真率 Distortion | / | | |
| 19 | 各部 材质 | Cone Paper | / | |
| | | Voice Coil | / | |
| | | Cap | / | |
| 20 | 总重量 Total Weight | 3.9 G | | |
|  | Size:40mm 試作發行: 2006.08.08 | Approve: Arthur | Check: Chen | Design: LIU |

Firm: HUEY TUNG ELECTRONIC Model: HT-1041 DATE: 07-15-2006 TIME: 10:47:27
 1000Hz Sens. = 130.3dB SPL Pass F.R.: Pass DCR: 32.3Ω Pass Att. @ -20dB
 Average SPL = 124.4dB SPL Pass (1000Hz-2000Hz) Sweep Speed: 1/12 Oct.

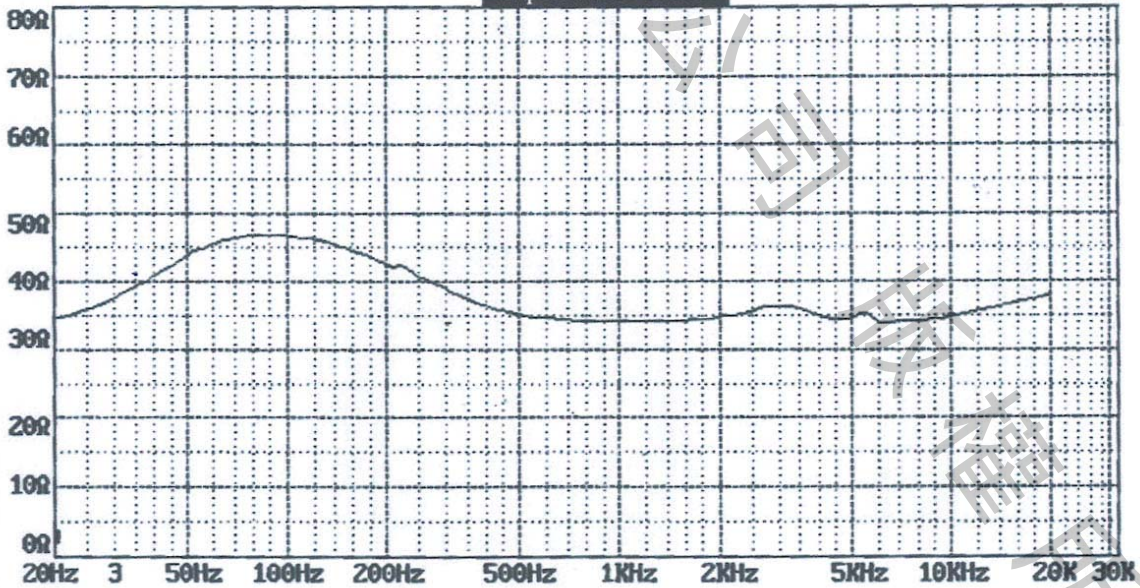
F.R. check: 1kHz Normalize B 6.40

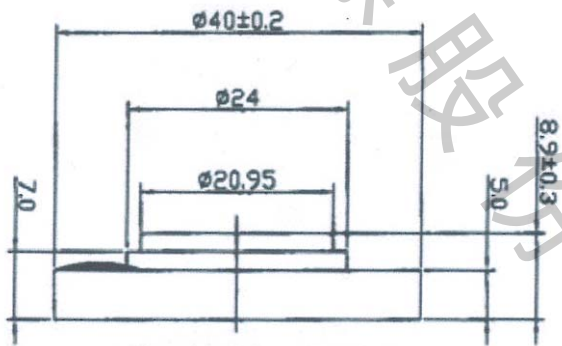
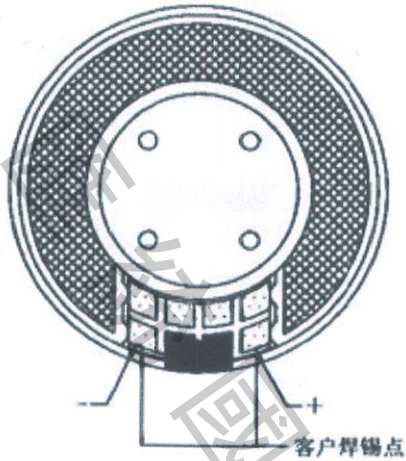


Voltage applied for F.R. = 0.800V Start F. = 20Hz Stop F. = 20000Hz

Firm: HUEY TUNG ELECTRONIC Model: HT-1041 DATE: 07-15-2006 TIME: 11:30:27
 ACU = 0.800V ACZ = 34.1Ω @ 1000Hz.
 Start Freq. = 20Hz Stop Freq. = 20000Hz Sweep Speed: 1/12 Oct.
 Fo = 88.3Hz; Qm = 0.40; Qc = 0.87; Qt = 0.27; DCR = 32.3Ω.

Impedance Curve B 6.40





Tolerance: 0.2
Unit: mm

