



匯統國際股份有限公司  
Huey Tung International Co., Ltd.

# 產品規格書 Specification

[ Model : HT-01307 / 2015.11.17 version ]



**Cara Audio Corporation**

No.69, Lane 762, Dingzhong Road, Sanmin District, Kaohsiung City, Taiwan, ROC.


Tel: 886-7-310 5786 / Fax: 886-7-310 0783

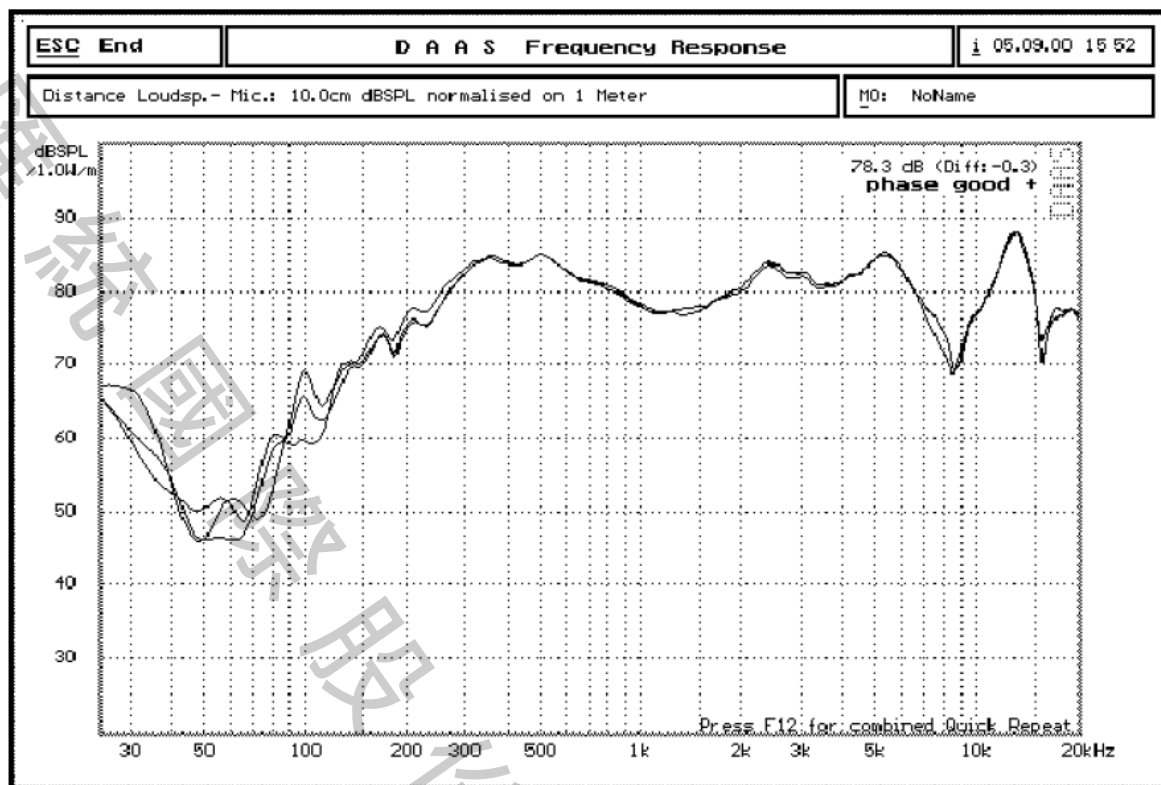
E-mail: [carawang@hueytung.com.tw](mailto:carawang@hueytung.com.tw) / <http://www.hueytung.com.tw>

# 揚聲器製品規格書

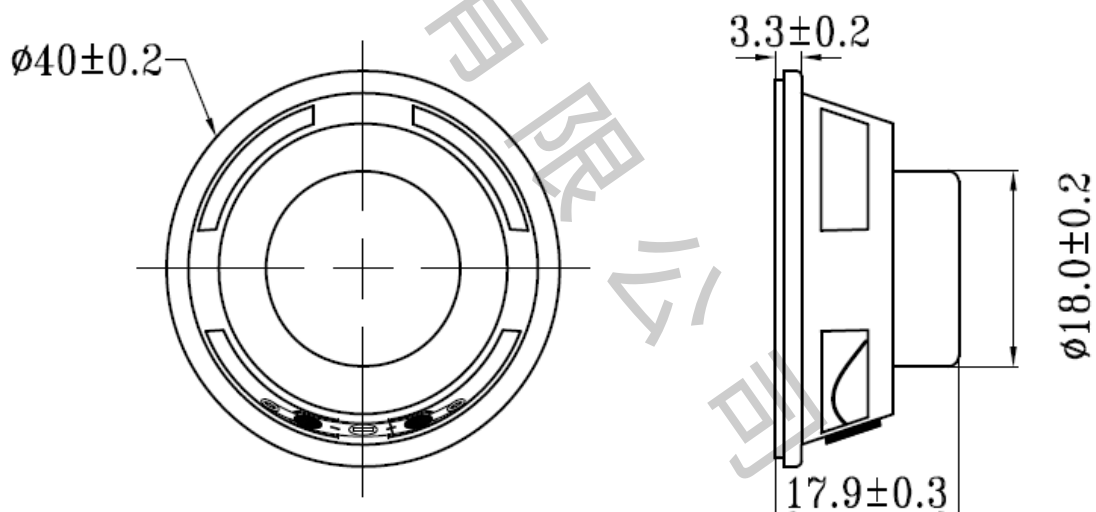
## SPEAKER SPECIFICATION

型號 Model Number: HT-01307

項目 Items		規格 Specification	
1	公称阻抗 Nominal Impedance	4Ω±15%	
2	最低共振周波数 Lowest Resonance Frequency	270±54 Hz	
3	实效周波数带域 Effective Frequency Range	190Hz~20KHz -10dB	
4	出力音压 Output Sound Pressure Level	83dB±3dB (1W/1M) at (400,500,600,800)Hz AVE.	
5	入力 Input	定格入力 Rated input	最大入力 Maximum
		3 W	5 W
6	磁束密度 Flux Density	-----±10% GAUSS	
7	异常音试验电压 Buzz & Rattle Test	Must be normal at sine wave 3.46V	
8	动作试验电压 Operation Test	Must be normal at program source	
9	极性 Polarity	Diaphragm shall move Forward when Apply a Positive DC Current to the "+" or "Marked" Terminal.	
10	磁石尺寸/重量 Magnet Dimension/Weigh	Magnet: Φ 12.5*3.0mm N35	G
11	连续负荷试验 Life Test	Pink noise with Weighted Filter 3.46 V (RMS) 96 hours	After the Test, Speaker should be meet the Outside and item 7,8
12	耐热试验 Heat Resistance	70°C±2°C 20%-50%RH 24Hours and then room temperature 1 hours	
13	耐湿试验 Humidity Resistance	40°C±2°C 90%-95%RH 24Hours and then room temperature 1 hours	
14	耐寒试验 Cold Resistance	-25°C±2°C 96Hours and then room temperature 1 hours	
15	落下试验 Drop Test		
16	绝缘耐压试验 Insulation Resistance	Or more 1MΩ 以上	
17	周波数特性 Frequency Response Curve	参照附图 On Other Drawing	
18	失真率 Distortion	5% Max at 1000 Hz 3.0W	
19	各部 材质	Cone Paper	Paper + PU edge
		Voice Coil	PSV 13Φ
		Cap	PET
20	总重量 Total Weight	17.3g	
	Size: 40mm	Approve:	Check:
	試作發行: 2015. 11. 17	Arthur	Chen
		Design:	WANG



成品圖及照片 Mechanical Dimensions : HT-01307



Unit:mm

