

匯統國際股份有限公司
Huey Tung International Co., Ltd.

產品規格書 Specification

[Model : HT-01304 / 2015.11.02 version]



Cara Audio Corporation

No.69, Lane 762, Dingzhong Road, Sanmin District, Kaohsiung City, Taiwan, ROC.


Tel: 886-7-310 5786 / Fax: 886-7-310 0783

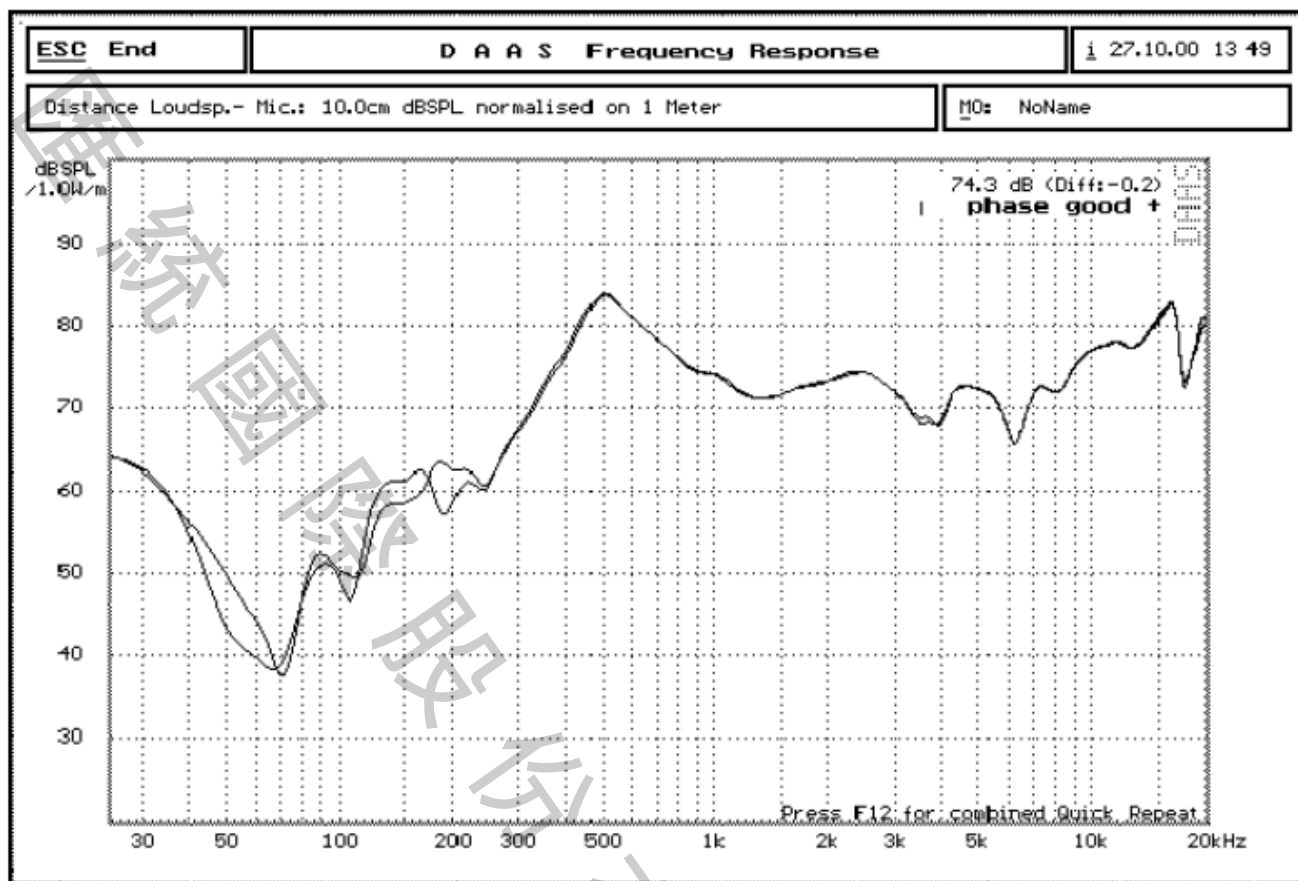
E-mail: carawang@hueytung.com.tw / <http://www.hueytung.com.tw>

揚聲器製品規格書

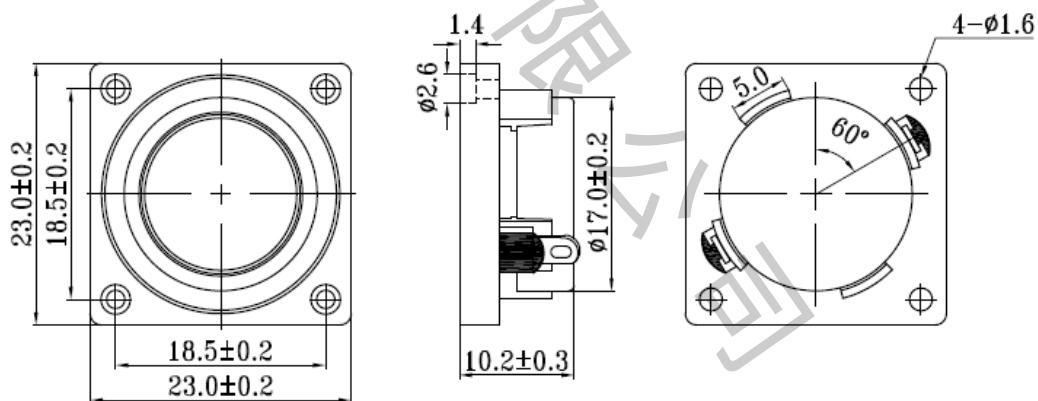
SPEAKER SPECIFICATION

型號 Model Number: HT-01304

項目 Items		規格 Specification		
1	公称阻抗 Nominal Impedance	8Ω±15%		
2	最低共振周波数 Lowest Resonance Frequency	650±130 Hz at 30°C		
3	实效周波数带域 Effective Frequency Range	300Hz~20KHz -10dB		
4	出力音压 Output Sound Pressure Level	76dB±3dB (1W/1M) at (600,800,1000,1200)Hz AVE.		
5	入力 Input	定格入力 Rated input	最大入力 Maximum	
		2 W	4 W	
6	磁束密度 Flux Density	-----±10% GAUSS		
7	异常音试验电压 Buzz & Rattle Test	Must be normal at sine wave 4V		
8	动作试验电压 Operation Test	Must be normal at program source		
9	极性 Polarity	Diaphragm shall move Forward when Apply a Positive DC Current to the "+" or "Marked" Terminal.		
10	磁石尺寸/重量 Magnet Dimension/Weigh	Magnet: Φ 12.5*3.0mm	G	
11	连续负荷试验 Life Test	White noise with Weighted Filter 4.0 V (RMS) 24 hours	After the Test, Speaker should be meet the Outside and item 7,8	
12	耐热试验 Heat Resistance	70°C±2°C 20%-50%RH 24Hours and then room temperature 1 hours		
13	耐湿试验 Humidity Resistance	40°C±2°C 90%-95%RH 24Hours and then room temperature 1 hours		
14	耐寒试验 Cold Resistance	-25°C±2°C 96Hours and then room temperature 1 hours		
15	落下试验 Drop Test			
16	绝缘耐压试验 Insulation Resistance	Or more 1MΩ 以上		
17	周波数特性 Frequency Response Curve	参照附图 On Other Drawing		
18	失真率 Distortion	5% Max at 1000 Hz 2.0W		
19	各部 材质	Cone Paper	Foam Edge	
		Voice Coil		
		Cap	PET	
20	总重量 Total Weight	8.1g		
	Size: 23*23*10.2mm	Approve: Arthur	Check: Chen	Design: WANG
	試作發行: 2015.11.02			



成品圖及照片 Mechanical Dimensions : HT-01304



Tolerance:0.5

Unit: mm